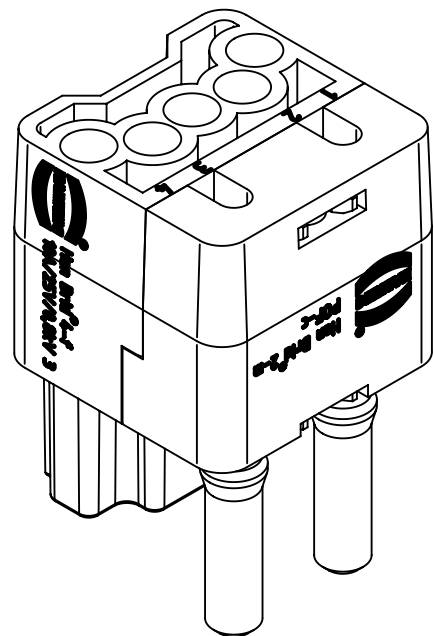
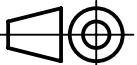



countersunk screw M3x6
enclosed separately



 All Dimensions in mm Original Size DIN A4	Scale	Free size tol.			Ref.	
	2:1				Sub.	
 All rights reserved Department EL PD - DE	Created by	Inspected by	Standardisation	Date	State	
	FINKEV	SCHNIEDER	RUETERA	2018-03-14	Final Release	
HARTING Electric GmbH & Co. KG D-32339 Espelkamp	Title				Doc-Key / ECM-Nr.	
	Han Brid-bu-c + 2LWL-Sti-c (K)				100205819/UGD/004/B 500000132415	
Type		Number			Rev.	Page
TB		09 12 004 2711			B	1/1