

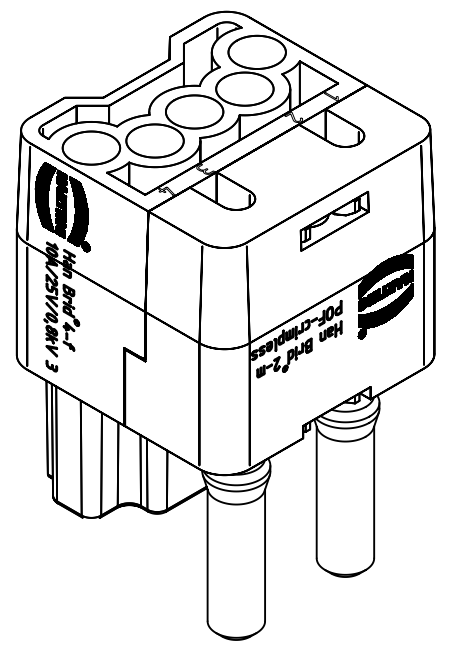
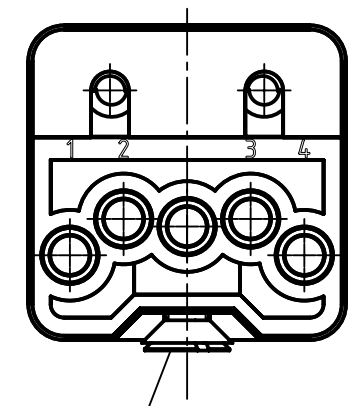
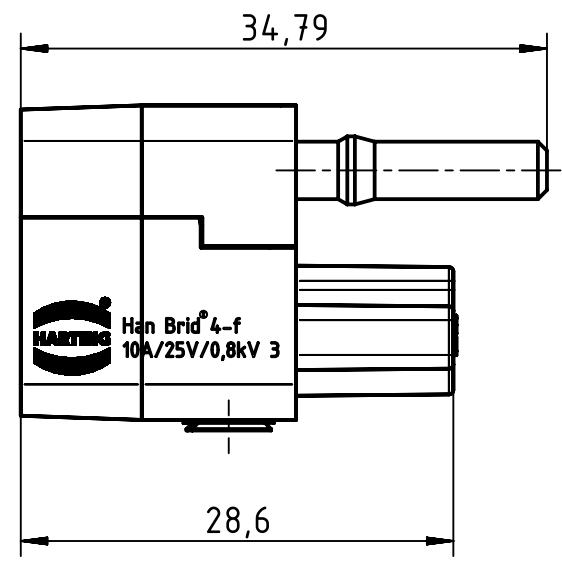
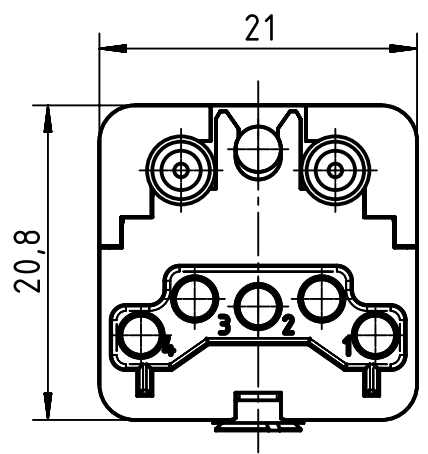
1 2 3 4 5 6

A

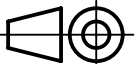

B

C

D



countersunk screw M3x6
enclosed separately

	All Dimensions in mm Original Size DIN A4	Scale	Free size tol.		Ref.
		2:1			Sub.
 All rights reserved Department EL PD - DE	Created by	Inspected by	Standardisation	Date	State
	FINKEV	SCHNIEDER	RUETERA	2018-03-14	Final Release
Title Han 4Brid-F-c + 2LWL-M-POF-crimpress (K)				Doc-Key / ECM-Nr. 100205820/UGD/004/B 500000132415	
HARTING Electric GmbH & Co. KG D-32339 Espelkamp		Type	Number	Rev.	Page
		TB	09 12 004 2713	B	1/1