

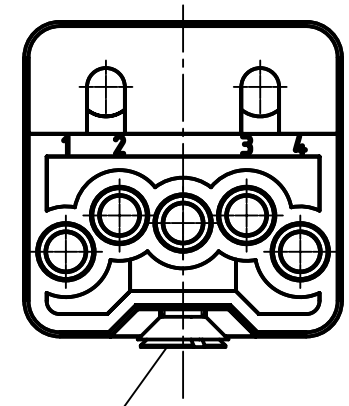
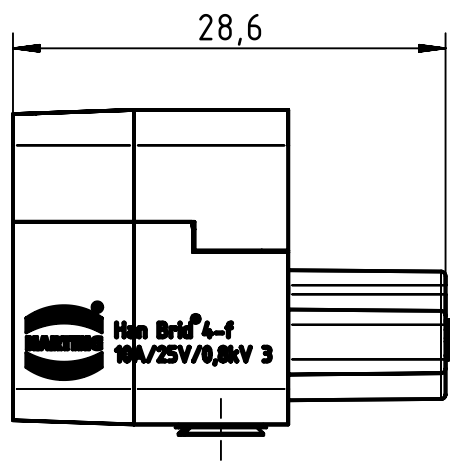
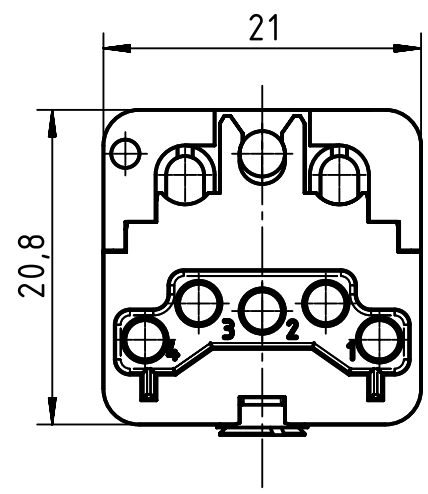
1 2 3 4 5 6

A

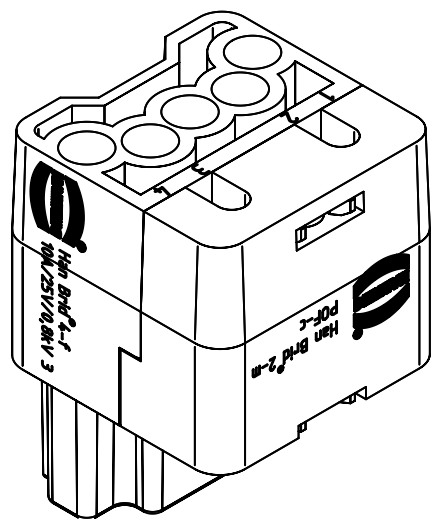
B

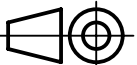

C

D



countersunk screw M3x6  
enclosed separately



 All Dimensions in mm Original Size DIN A4	Scale	Free size tol.			Ref.
	2:1				Sub.
 All rights reserved Department EL PD - DE	Created by	Inspected by	Standardisation	Date	State
	FINKEV	SCHNIEDER	RUETERA	2018-03-14	Final Release
HARTING Electric GmbH & Co. KG D-32339 Espelkamp	Title Han Brid-bu-c + Kontakthalt.(crimp) (K)				Doc-Key / ECM-Nr. 100205810/UGD/004/B 500000132415
	Type	Number			Rev.
TB	09 12 004 3111			B	1/1