

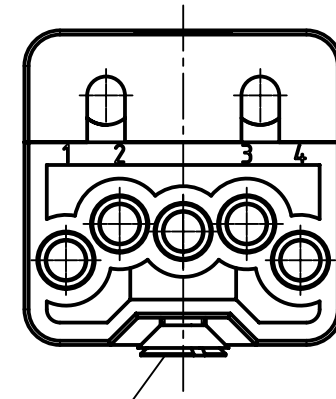
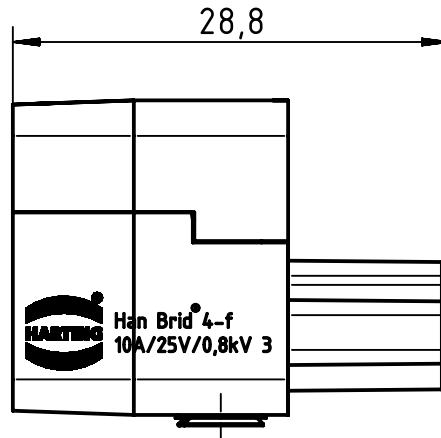
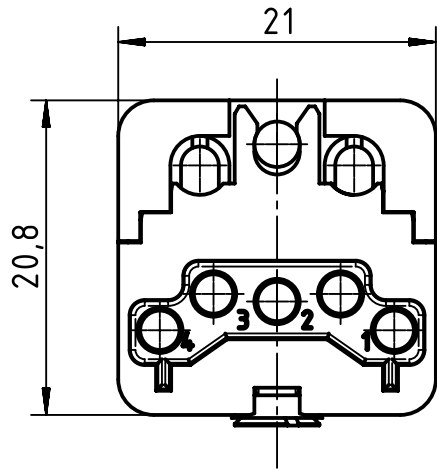
1 2 3 4 5 6

A

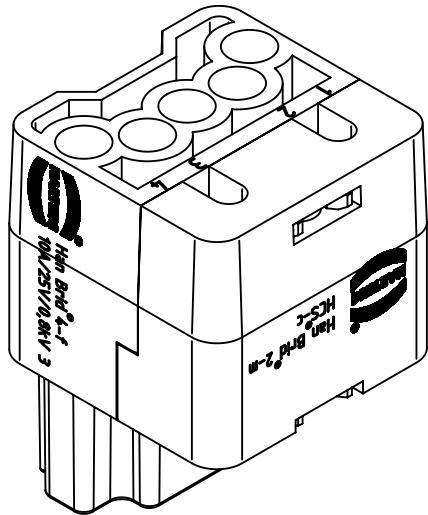
B


C

D



countersunk screw M3x6  
enclosed separately



	All rights reserved Department EL PD - DE	All Dimensions in mm Original Size DIN A4			Scale 2:1	Free size tol.	Ref. Sub.
		Created by FINKEV	Inspected by SCHNIEDER	Standardisation RUETERA	Date 2018-03-14	State Final Release	
HARTING Electric GmbH & Co. KG D-32339 Espelkamp		Title Han 4Brid-F-c + 2LWL-M-HCS-Halt.-c (K)				Doc-Key / ECM-Nr. 100205817/UGD/004/B 500000132415	
		Type TB	Number 09 12 004 3116			Rev. B	Page 1/1