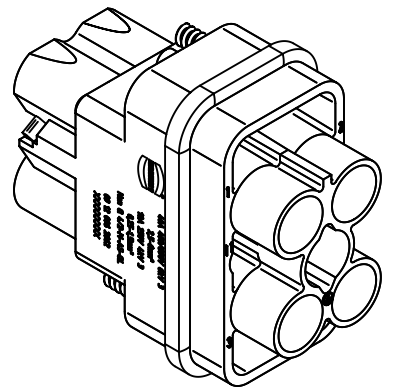
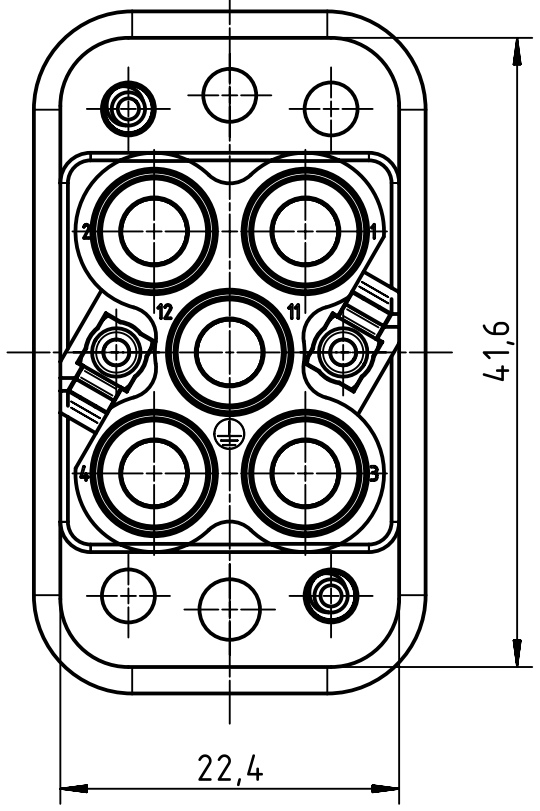
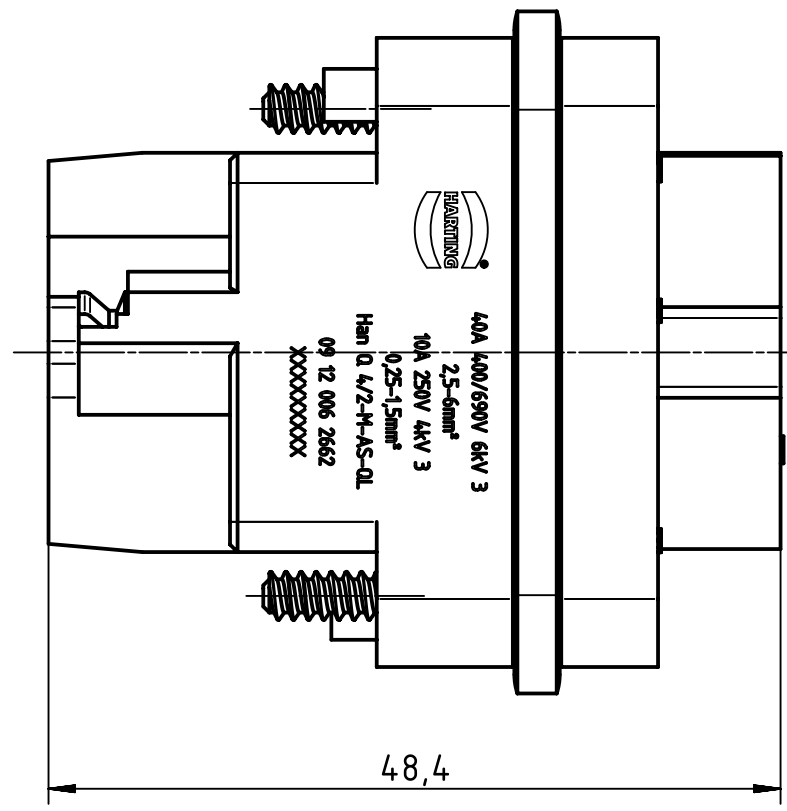
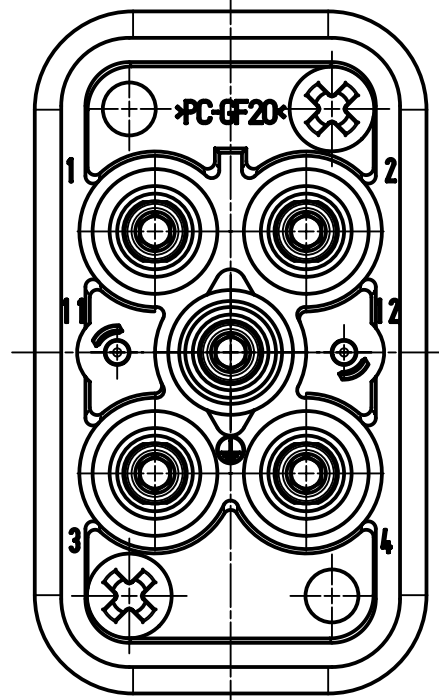



1 2 3 4 5 6

A
B
C
D



	All rights reserved Department EL PD - DE	All Dimensions in mm Original Size DIN A4		Scale 2:1	Free size tol.	Ref. Sub.
		Created by FINKEV	Inspected by BERGHORN	Standardisation TIEMANNA	Date 2015-06-24	State Final Release
HARTING Electric GmbH & Co. KG D-32339 Espelkamp		Title Han Q 4/2-M insert with QL 2,5-6mm ²			Doc-Key / ECM-Nr. 100212002/UGD/003/B 500000089177	
		Type TB	Number 09 12 006 2662		Rev. B	Page 1/1