

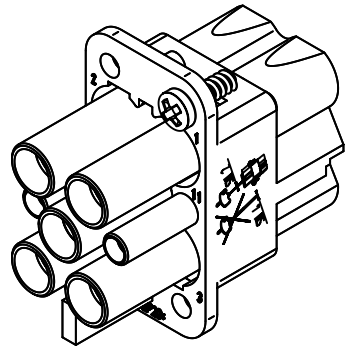
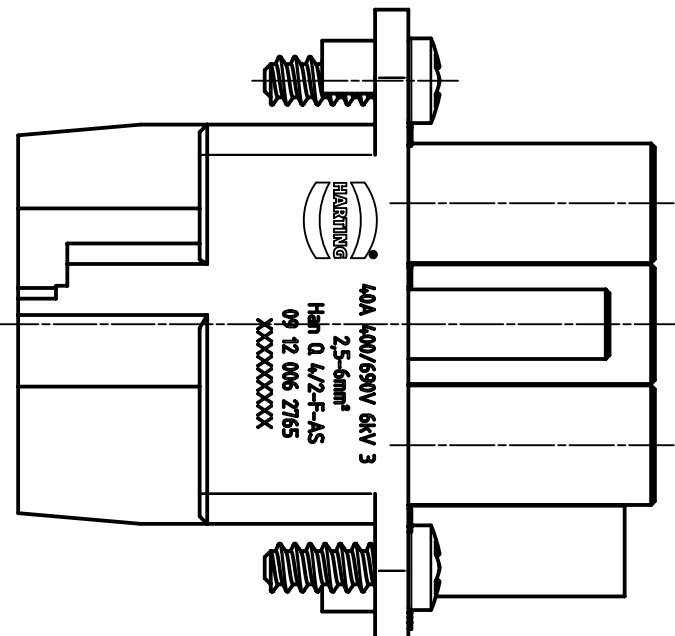
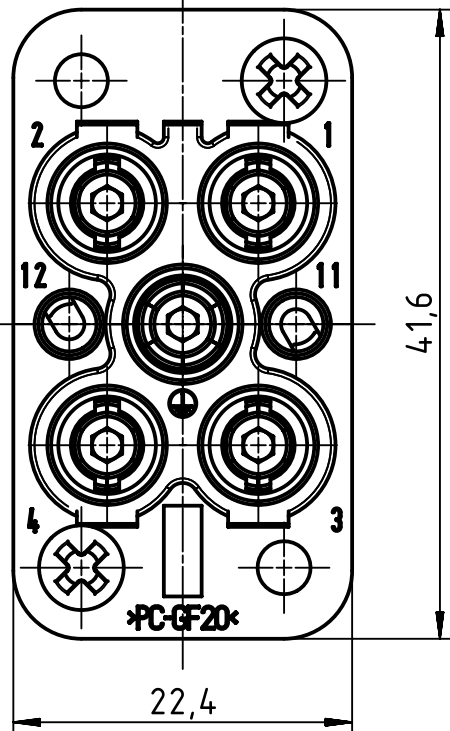
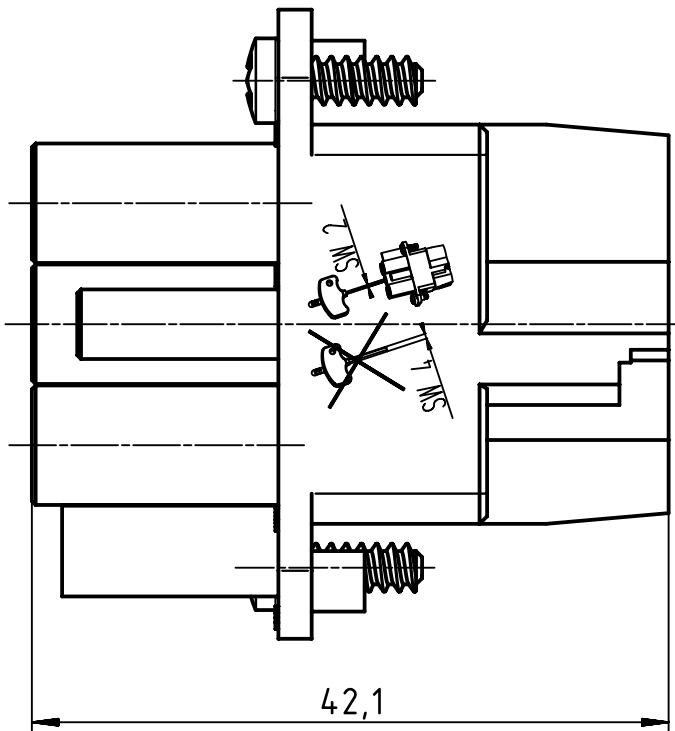
1 2 3 4 5 6

A

B

C

D



Coating	A=	mm <sup>2</sup>	V=	mm <sup>3</sup>	m=	g	Mat.
	All Dimensions in mm Original Size DIN A4		Scale 2:1	Free size tol.			Ref.
	All rights reserved Department EL PD - DE		Created by FINKEV	Inspected by BERGHORN	Standardisation RUETERA	Date 2017-02-03	State Final Release
HARTING Electric GmbH & Co. KG D-32339 Espelkamp			Title Han Q 4/2-F Insert AS 2,5-6mm <sup>2</sup>			Doc-Key / ECM-Nr. 100212001/UGD/003/B 500000114851	
			Type TB	Number 09 12 006 2765			Rev. B
						Page 1/1	