

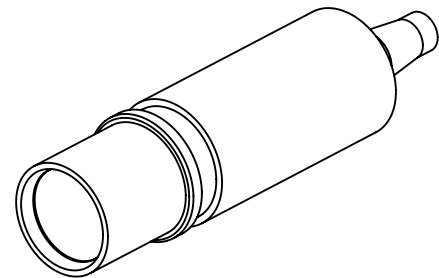
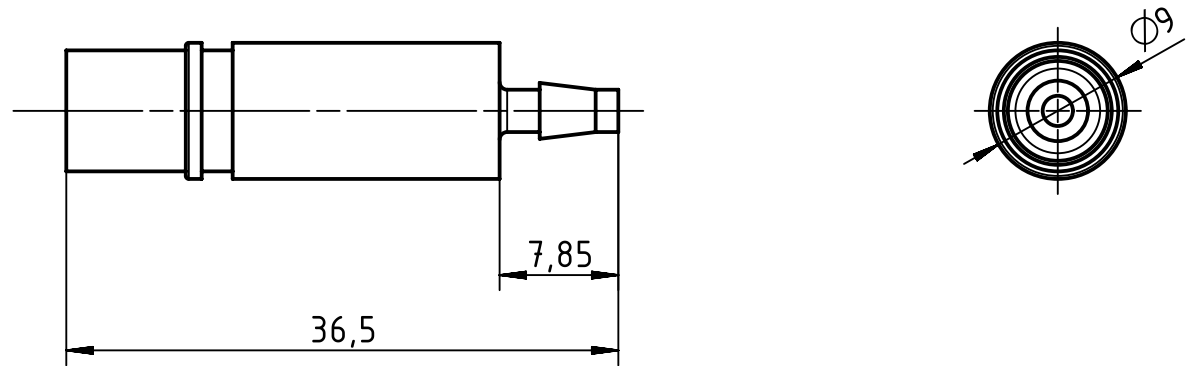
1 2 3 4 5 6


A

B

C

D



	All rights reserved Department EL PD - DE	All Dimensions in mm Original Size DIN A4		Scale 2:1	Free size tol.		Ref.		
		HARTING Electric GmbH & Co. KG D-32339 Espelkamp		Created by MOELLERLI	Inspected by BEISCHER	Standardisation RUETERA	Date 2018-05-16	State Final Release	
Title Pneum. contact metal ID3 female							Doc-Key / ECM-Nr. 100654648/UGD/001/E 500000133860		
Type TB			Number 09 14 000 6403				Rev. E	Page 1/1	