

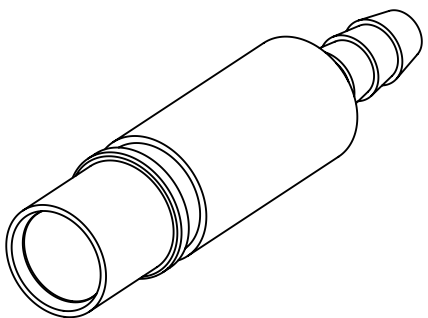
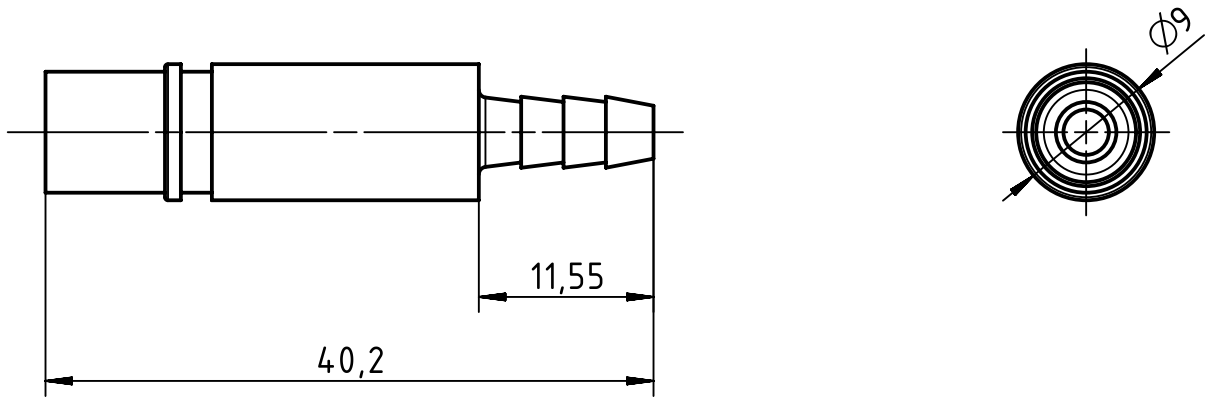
1 2 3 4 5 6


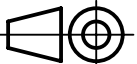
A

B

C

D



	All rights reserved Department EL PD - DE	Created by MOELLERLI		Inspected by BEISCHER		Standardisation RUETERA		Date 2018-05-16		State Final Release	
		Title Pneum. contact metal ID 4 female								Doc-Key / ECM-Nr. 100655144/UGD/001/E 500000133860	
HARTING Electric GmbH & Co. KG D-32339 Espelkamp		Type TB		Number 09 14 000 6404				Rev. E		Page 1/1	
 All Dimensions in mm Original Size DIN A4		Scale 2:1		Free size tol.				Ref.		Sub.	