

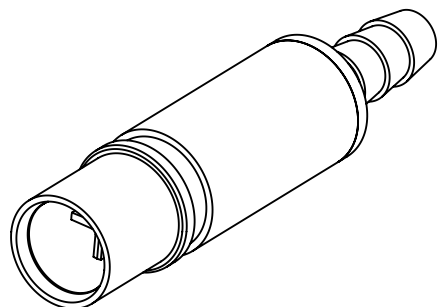
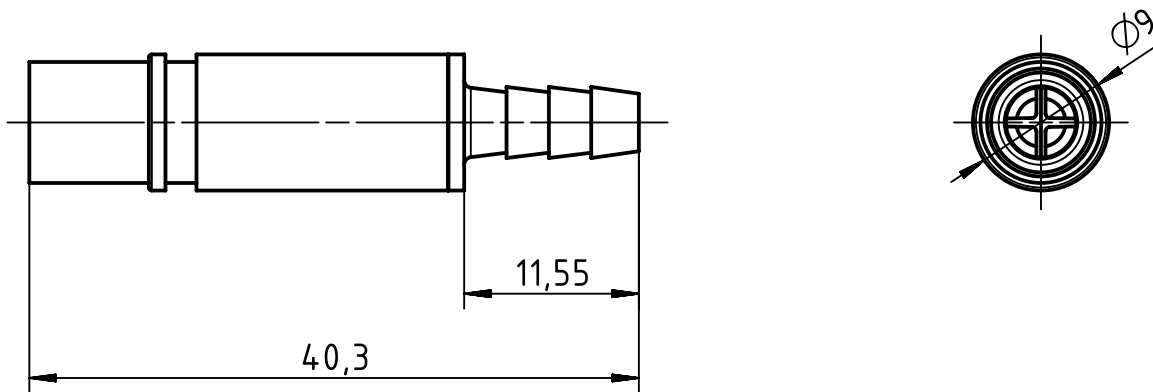
1 2 3 4 5 6

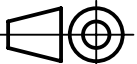

A

B

C

D



	All Dimensions in mm Original Size DIN A4	Scale 1:1		Free size tol.		Ref.	
						Sub.	
	All rights reserved Department EL PD - DE	Created by MOELLERLI	Inspected by BEISCHER	Standardisation RUETERA	Date 2018-05-16	State Final Release	
		Title Pneum. contact metal ID 4 female+valve					Doc-Key / ECM-Nr. 100657503/UGD/001/D 500000133860
HARTING Electric GmbH & Co. KG D-32339 Espelkamp		Type TB	Number 09 14 000 6414			Rev. D	Page 1/1