

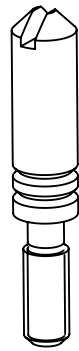
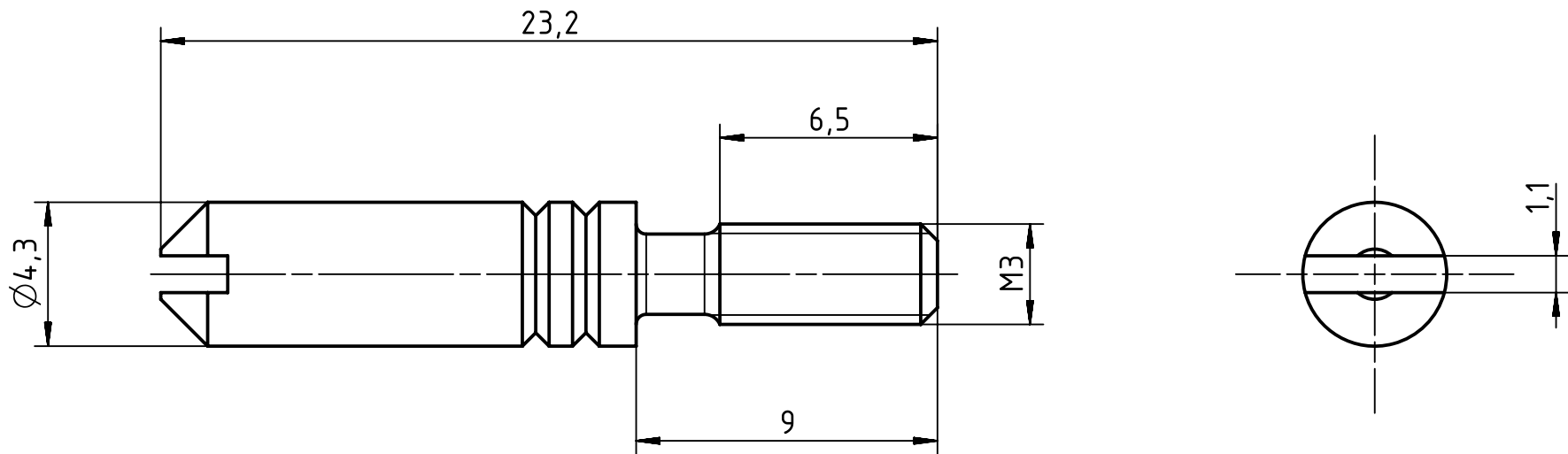
1                      2                      3                      4                      5                      6

A

B

C

D



	All Dimensions in mm Original Size DIN A4		Scale 5:1	Free size tol.		Ref.	
						Sub.	
	All rights reserved Department EL PD - DE		Created by GERB	Inspected by MOOR	Standardisation TIEMANNA	Date 2015-04-20	State Final Release
	HARTING Electric GmbH & Co. KG D-32339 Espelkamp		Title Han Modular guide pin			Doc-Key / ECM-Nr. 100547753/UGD/001/C 500000088419	
			Type TB	Number 09 14 000 9981		Rev. C	Page 1/1