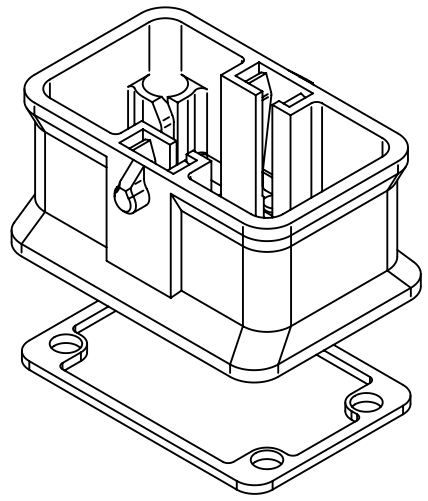
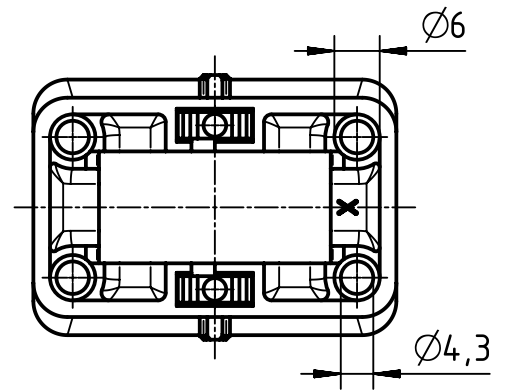
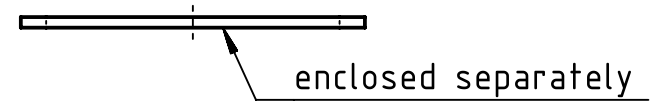
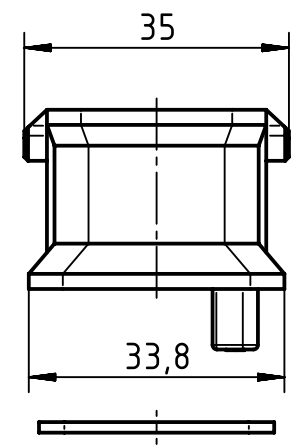
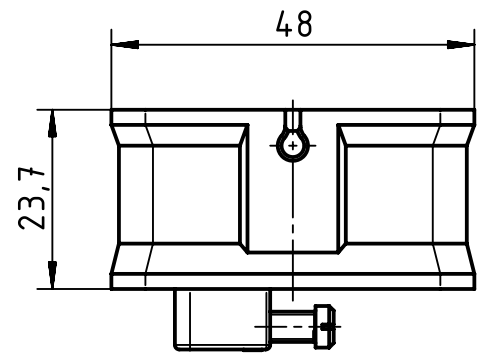
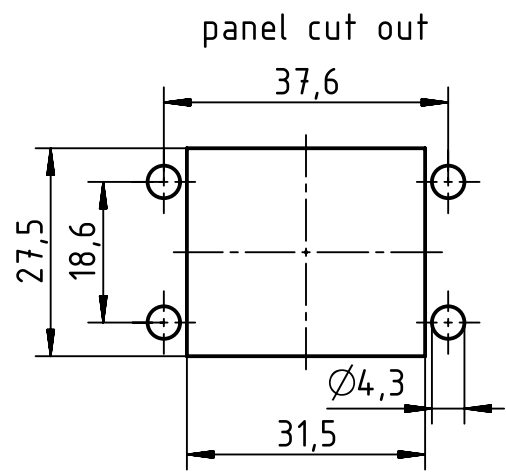


1                      2                      3                      4                      5                      6

A  
B  
C  
D



	All rights reserved Department EL PD - DE	All Dimensions in mm Original Size DIN A4		Scale 1:1	Free size tol.	Ref. Sub.
		Created by GERB	Inspected by BERGHORN	Standardisation TIEMANNA	Date 2016-01-13	State Approved
HARTING Electric GmbH & Co. KG D-32339 Espelkamp		Title Han 1Mod-agg-F M4			Doc-Key / ECM-Nr. 100650639/UGD/003/B 500000098323	
		Type TB	Number 09 14 001 0314		Rev. B	Page 1/1