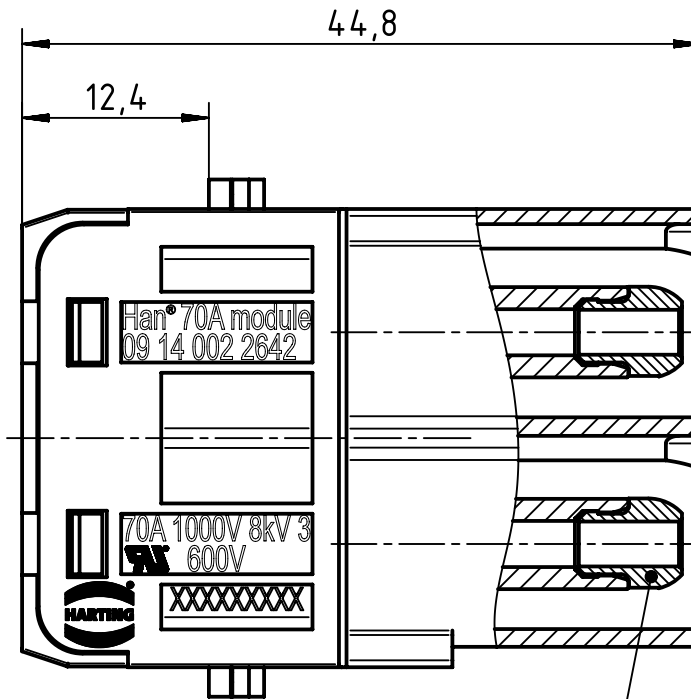
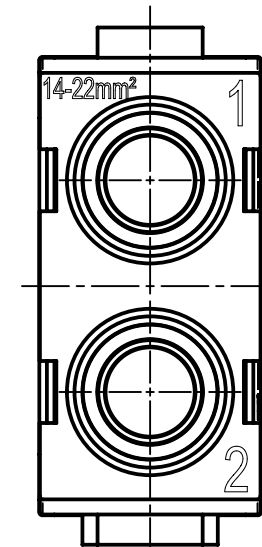


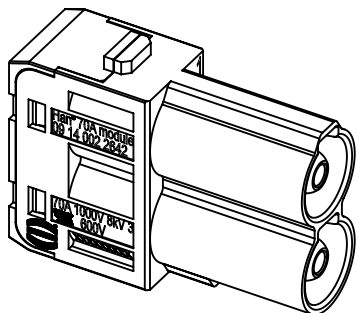
SW2,5



finger safe by plastic cap



for stranded wire 14-22mm<sup>2</sup>, AWG 6-4, fine wire



	All Dimensions in mm Original Size DIN A4	Scale		Free size tol.		Ref.			
		2:1				Sub.			
	All rights reserved Department EL PD	Created by		Inspected by		Standardisation			
		SPRENB		NICHTERLEIN		SCHMIDTM		Date	
HARTING Electric GmbH & Co. KG D-32339 Espelkamp		Title				Date		State	
		Han 70A axial module, male 14-22 mm <sup>2</sup>				2018-09-06		Final Release	
		Type		Number		Doc-Key / ECM-Nr.		Page	
		TB		09 14 002 2642		100173715/UGD/009/D 500000139331		1/1	
						Rev. D			