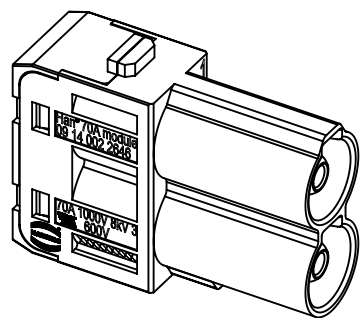
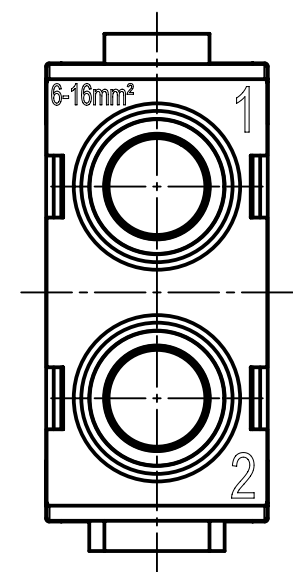
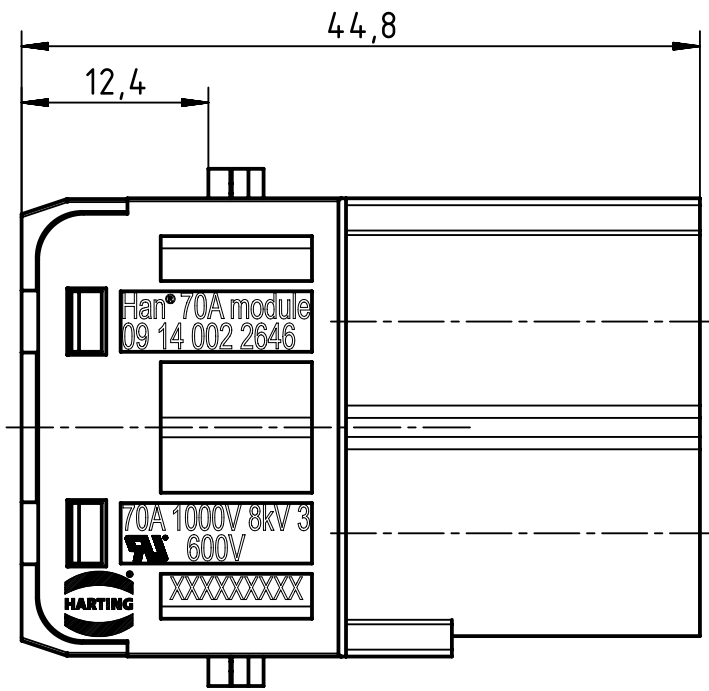
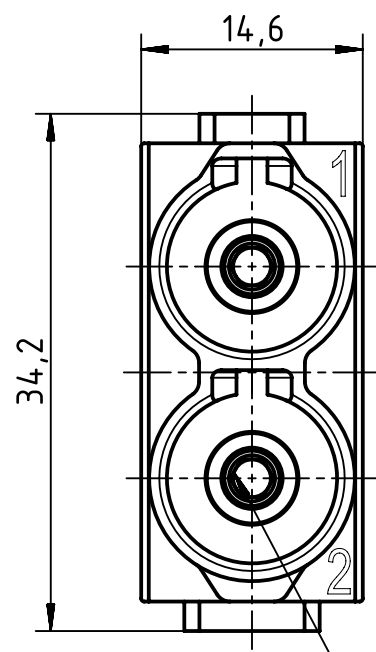


1 2 3 4 5 6

A
B
C
D



for stranded wire 6-16mm², AWG 10-6, fine wire

	All Dimensions in mm Original Size DIN A4	Scale	Free size tol.			Ref.	
		2:1				Sub.	
	All rights reserved Department EL PD	Created by	Inspected by	Standardisation	Date	State	
		SPREENB	NICHTERLEIN	SCHMIDTM	2018-09-06	Final Release	
HARTING Electric GmbH & Co. KG D-32339 Espelkamp		Title				Doc-Key / ECM-Nr. 100173719/UGD/004/D 500000139331	
		Han 70A axial module, male 6-16 mm ²					
		Type	Number			Rev.	Page
		TB	09 14 002 2646			D	1/1