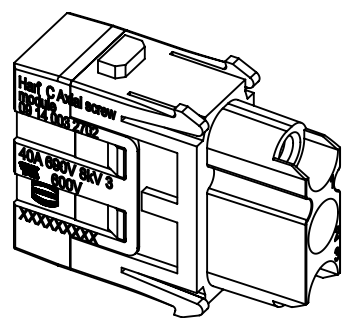


for stranded wire 6-10mm<sup>2</sup>, AWG 10-8, fine wire



	All Dimensions in mm Original Size DIN A4	Scale	Free size tol.		Ref.	
		2:1			Sub.	
	All rights reserved Department EL PD	Created by	Inspected by	Standardisation	Date	State
		HELLMANN	SUNDERMEIER	TIEMANNA	2019-08-27	Final Release
Title Han C axial module, female 6-10mm <sup>2</sup>					Doc-Key / ECM-Nr. 100169976/UGD/007/F 500000157240	
HARTING Electric GmbH & Co. KG D-32339 Espelkamp		Type	Number		Rev.	Page
		TB	09 14 003 2702		F	1/1