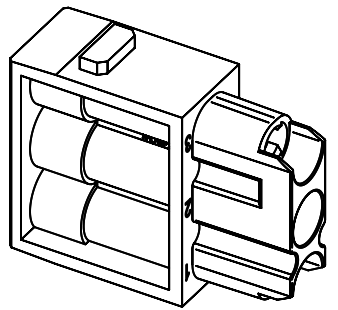


Wire diameter over insulation $\leq 4,8\text{mm}$ stripping length 9,5mm
 $> 4,8\text{mm}$ stripping length 12mm

For wires with maximum wire diameter over insulation up to 7,8 mm



	All Dimensions in mm Original Size DIN A4		Scale 1:1	Free size tol.		Ref.		
						Sub.		
	All rights reserved		Created by HELLMANN	Inspected by NICHTERLEIN	Standardisation SCHMIDTM	Date 2018-04-27	State Final Release	
	Department EL PD - DE		Title Han C module, crimp female				Doc-Key / ECM-Nr. 100086338/UGD/012/F 500000134561	
HARTING Electric GmbH & Co. KG D-32339 Espelkamp			Type TB	Number 09 14 003 3102			Rev. F	Page 1/1