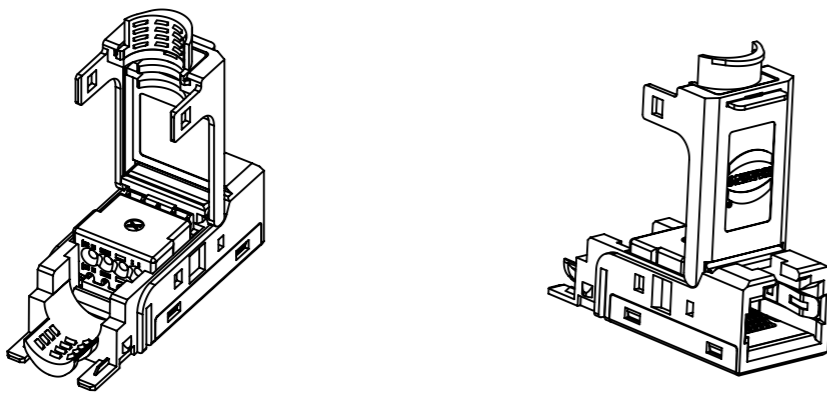
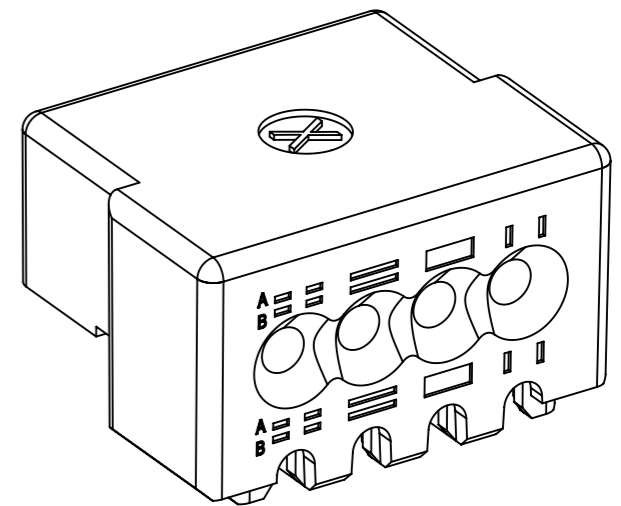


RJ45 mating face  
acc. to IEC 60603-7

(2:1)  
wire manager



|   |                     |  |  |  |  |  |                         |  |                 |  |                     |  |
|---|---------------------|--|--|--|--|--|-------------------------|--|-----------------|--|---------------------|--|
|   | All rights reserved |  | Created by DEIMEL                              |  | Inspected by FERDERERA                             |  | Standardisation RUETERA |  | Date 2019-10-24 |  | State Final Release |  |
|   | Department EL PD    |  | Title Han-Mod RJ45 IDC cable jack 8P AWG 28-24 |  | Doc-Key / ECM-Nr. 100564208/UGD/001/D 500000159250 |  | Rev. D                  |  | Page 1/1        |  |                     |  |
| HARTING Electric GmbH & Co. KG<br>D-32339 Espelkamp |                     |  | Type TB  |  | Number 09 14 545 1561                              |  |                         |  |                 |  |                     |  |