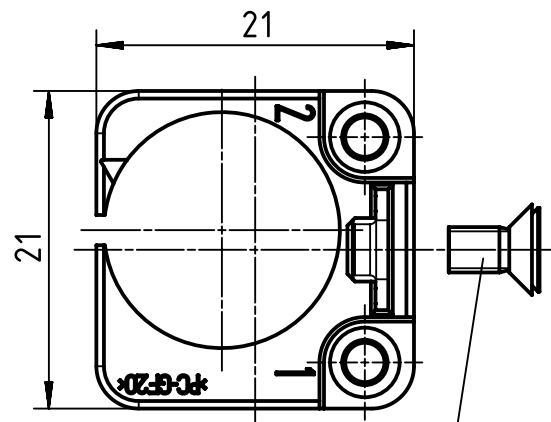
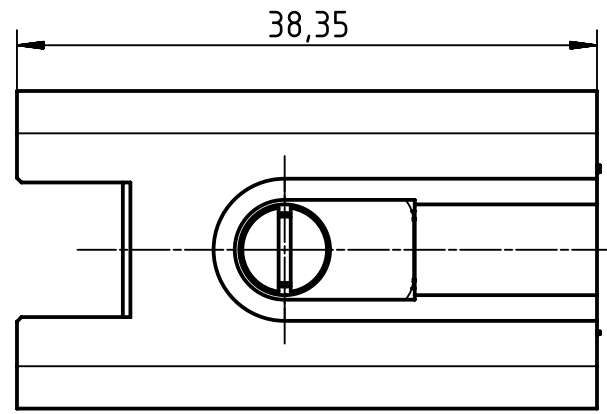


A

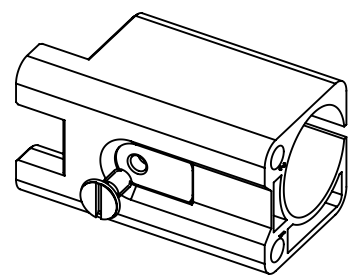
B


C

D



M3 screw enclosed separately



	All rights reserved Department EL PD		All Dimensions in mm Original Size DIN A4	Scale 2:1	Free size tol.	Ref. Sub. TB 09 15 003 3001 v. 13.01.11	
	HARTING Electric GmbH & Co. KG D-32339 Espelkamp		Created by SPRENB	Inspected by RIEPE	Standardisation GARSKE	Date 2019-05-15	State Final Release
			Title Han 3 Quintax-M-c			Doc-Key / ECM-Nr. 100133128/UGD/005/A 500000151709	
			Type TB	Number 09 15 003 3001		Rev. A	Page 1/1