

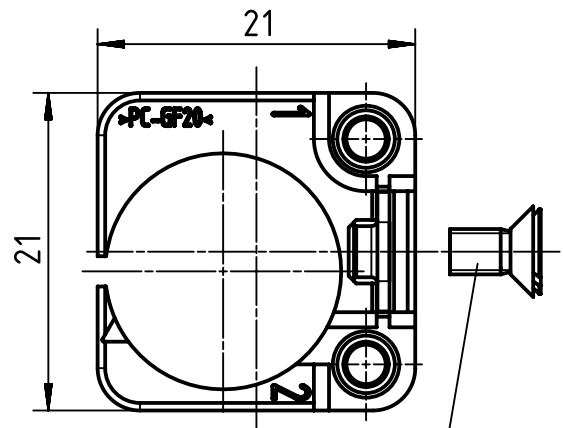
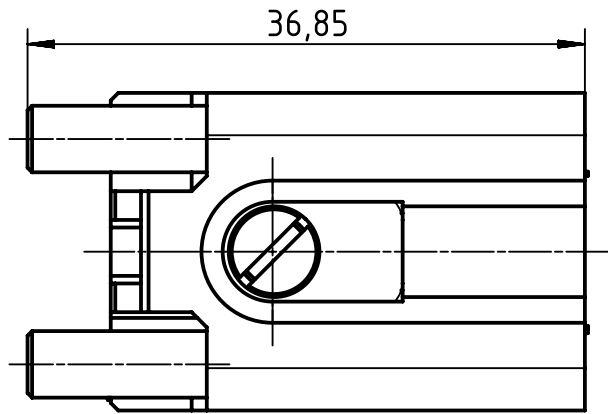
1 2 3 4 5 6

A

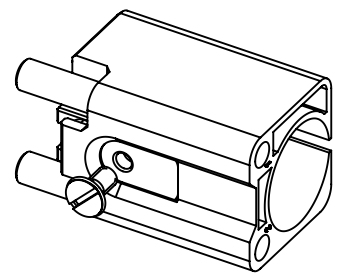
B


C

D



M3 screw enclosed separately



	All Dimensions in mm Original Size DIN A4		Scale 2:1	Free size tol.		Ref.	
	All rights reserved Department EL PD		Created by SPRENB	Inspected by RIEPE	Standardisation GARSKE	Date 2019-05-15	State Final Release
HARTING Electric GmbH & Co. KG D-32339 Espelkamp			Title Han 3 Quintax-F-c			Doc-Key / ECM-Nr. 100133129/UGD/005/A 500000151709	
			Type TB	Number 09 15 003 3101		Rev. A	Page 1/1