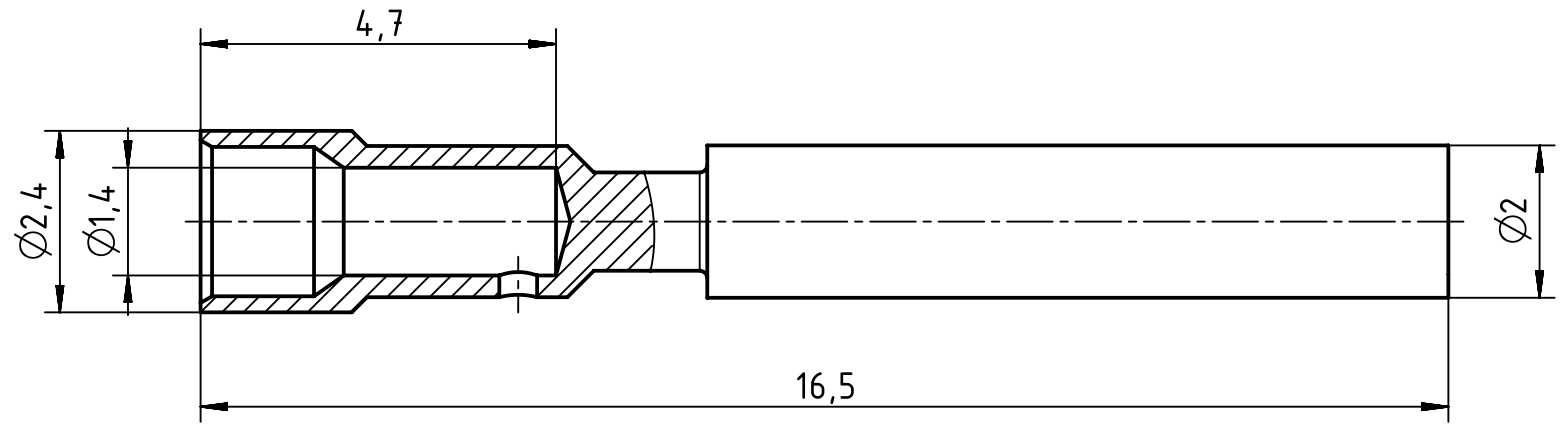


A

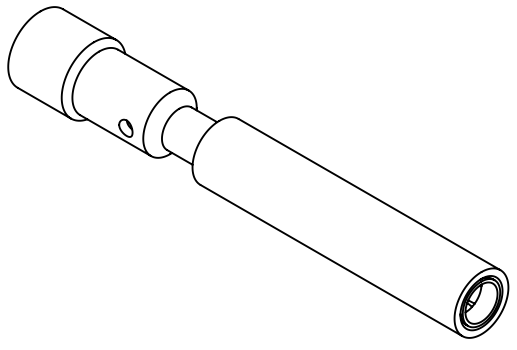
B

C

D



wire gauge: 0,34-1,00mm<sup>2</sup>, AWG 22-17  
stripping length: 4mm



Coating gold plated	A=	mm <sup>2</sup>	V=	mm <sup>3</sup>	m=	g	Mat.
All Dimensions in mm Original Size DIN A4	Scale	Free size tol.				Ref.	
	10:1					Sub.	
All rights reserved Department EL PD	Created by	Inspected by	Standardisation	Date	State		
	DYCKC	GRUBES	TIEMANNA	2019-07-19	Final Release		
HARTING Electric GmbH & Co. KG				Title			Doc-Key / ECM-Nr. 100709216/UGD/000/B 500000154987
D-32339 Espelkamp				Type	Number		
				TB	09 15 100 6202		Rev. B
						Page 1/1	