

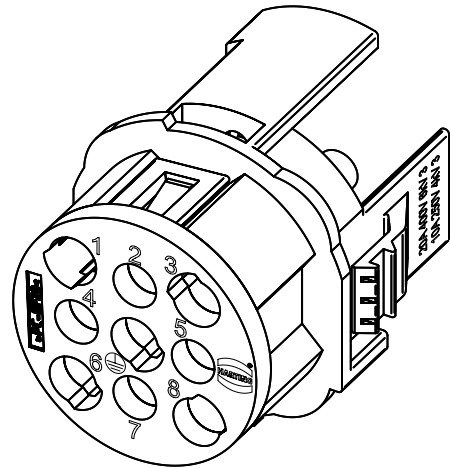
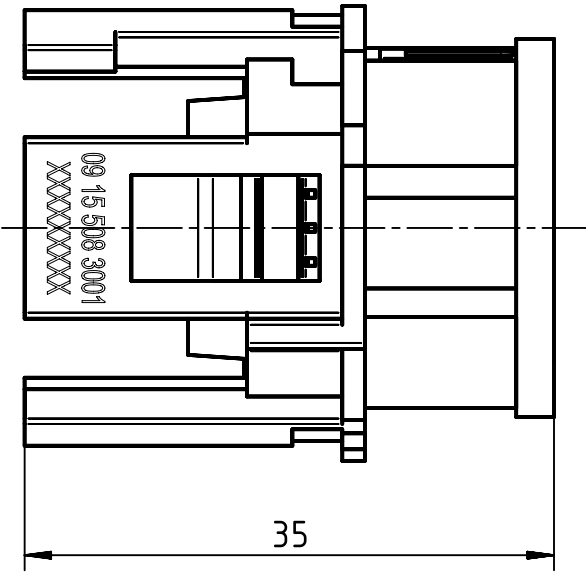
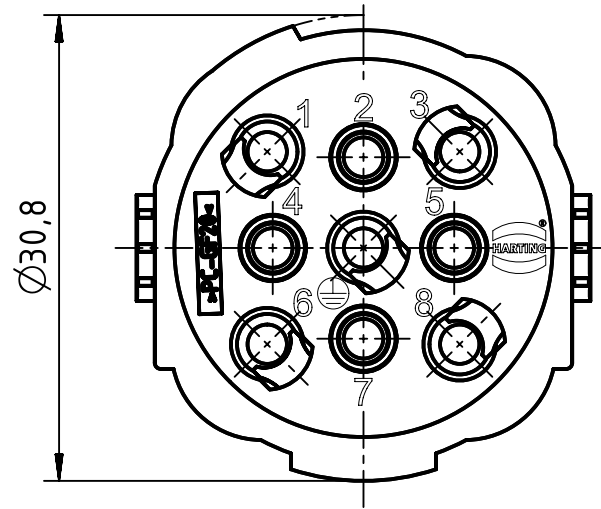
1 2 3 4 5 6

A

B

C

D



	All Dimensions in mm Original Size DIN A4		Scale 2:1	Free size tol.		Ref.		
						Sub.		
	All rights reserved		Created by HELLMANN	Inspected by RIEPE	Standardisation RUETERA	Date 2019-01-29	State Final Release	
	Department EL PD		Title Han F+B 4/4-M				Doc-Key / ECM-Nr. 100550189/UGD/001/G 500000146570	
HARTING Electric GmbH & Co. KG D-32339 Espelkamp			Type TB	Number 09 15 508 3001			Rev. G	Page 1/1