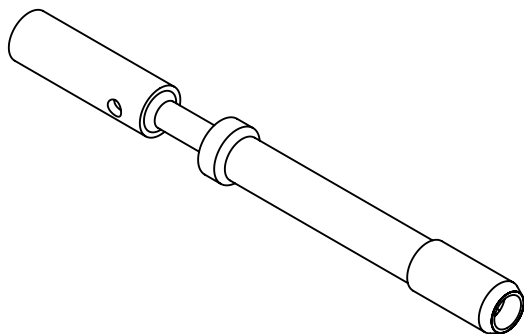
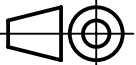



wire gauge: 0,08-0,34mm<sup>2</sup>, AWG 22-28  
stripping length: 4mm



Coating gold plated		A=	mm <sup>2</sup>	V=	mm <sup>3</sup>	m=	g	Mat.	
 All Dimensions in mm Original Size DIN A4	Scale	Free size tol.			Ref.				
	10:1				Sub.				
 All rights reserved Department EL PD	Created by	Inspected by	Standardisation	Date	State				
	DYCKC	GRUBES	TIEMANNA	2019-07-19	Final Release				
HARTING Electric GmbH & Co. KG		Title			Doc-Key / ECM-Nr.				
D-32339 Espelkamp		M23 P fem.-c 0,6mm (0,08-0,34mm <sup>2</sup> ) Au			100736885/UGD/000/B 500000155114				
		Type	Number		Rev.	Page			
		TB	09 15 600 6291		B	1/1			