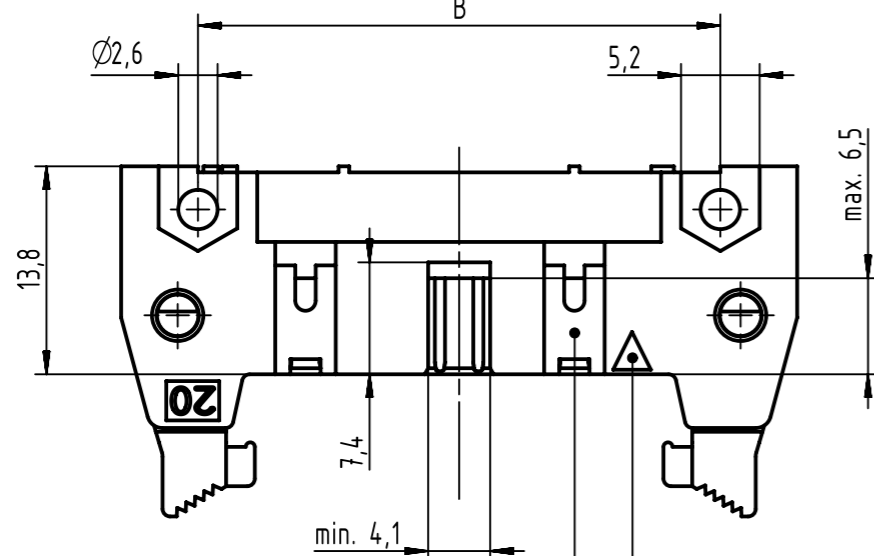
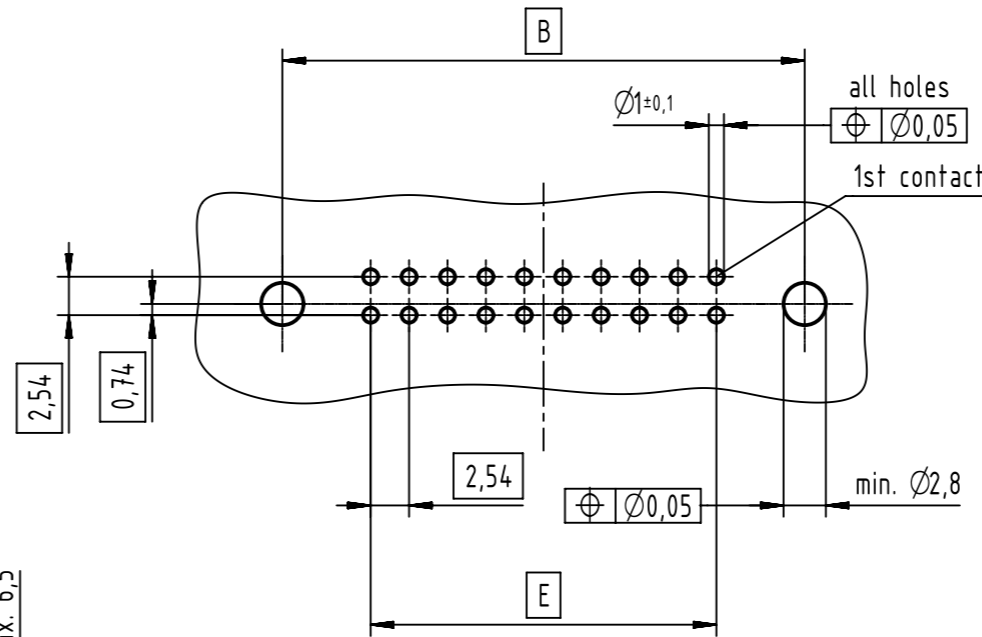
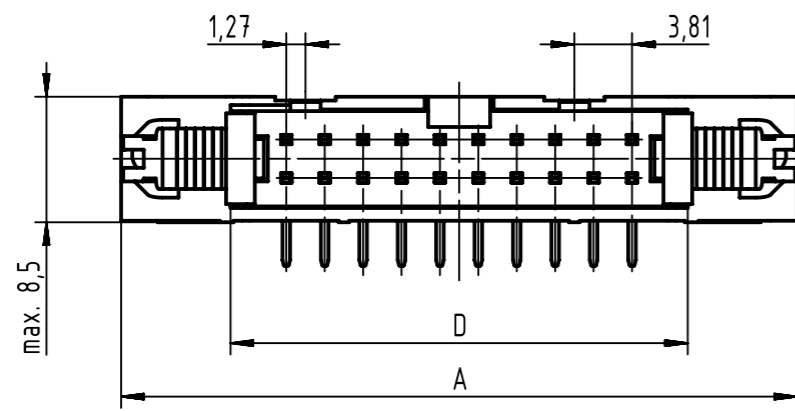
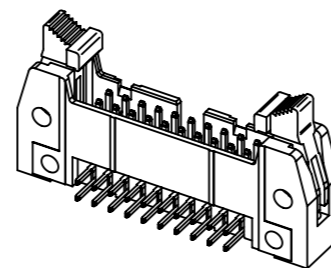


PCB layout
view component side
thickness 1,6

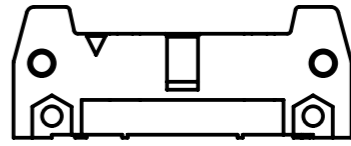
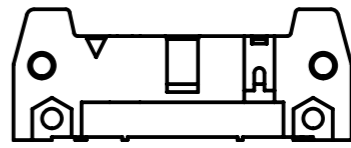
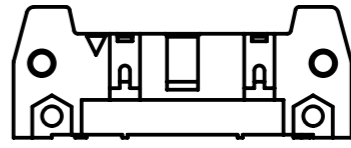



see table for coding,
feature arrangement and style



further information
see: DS 09181200001

full range of P/N's and
dimensions shown on page 2/2

coding style table	
	style A: for connectors 6-pole
	style B: for connectors from 10 to 14-pole
	style C: for connectors from 16 to 64-pole

 All rights reserved Department EC PD - DE HARTING Electronics GmbH D-32339 Espelkamp	All Dimensions in mm Original Size DIN A3	Scale 2:1	Free size tol. IEC 60603-13	Ref. Sub. TB 09185XXX913/913800 / 500000087654 / 2015-04-08
	Created by STORCK	Inspected by TADJE	Standardisation KOHLER	Date 2015-12-21
Title SEK 18 male standard conn angled with short lever 2.9				Doc-Key / ECM-Nr. 100154464/UGD/021/A 500000094595
Type TB		Number 09185XXX913		Rev. A Page 1/2

1	2		3	4	5	6		7	8	
A	performance level				insulator colour	dimensions				
	no. of contacts	PL3	PL2	S4		A max.	B	D	E	F
		part number	part number	part number						
B	06	09 18 506 7913	09 18 506 6913	09 18 506 5913	grey	27,2	16,76	12,45	2,54 x 2 = 5,08	36,9
	10	09 18 510 7913	09 18 510 6913	09 18 510 5913		32,3	21,84	17,53	2,54 x 4 = 10,16	42,0
	14	09 18 514 7913	09 18 514 6913	09 18 514 5913		37,4	26,92	22,61	2,54 x 6 = 15,24	47,1
	16	09 18 516 7913	09 18 516 6913	09 18 516 5913		39,9	29,46	25,15	2,54 x 7 = 17,78	49,6
	20	09 18 520 7913	09 18 520 6913	09 18 520 5913		45,0	34,54	30,23	2,54 x 9 = 22,86	54,7
	24	09 18 524 7913	09 18 524 6913	09 18 524 5913		50,1	39,62	35,91	2,54 x 11 = 27,94	59,8
	26	09 18 526 7913	09 18 526 6913	09 18 526 5913		52,6	42,16	37,85	2,54 x 12 = 30,48	62,3
	30	09 18 530 7913	09 18 530 6913	09 18 530 5913		58,0	47,24	43,83	2,54 x 14 = 35,56	68,2
	34	09 18 534 7913	09 18 534 6913	09 18 534 5913		62,8	52,32	48,01	2,54 x 16 = 40,64	72,5
	40	09 18 540 7913	09 18 540 6913	09 18 540 5913		70,4	59,94	55,63	2,54 x 19 = 48,26	80,1
	50	09 18 550 7913	09 18 550 6913	09 18 550 5913		83,1	72,64	68,33	2,54 x 24 = 60,96	92,8
	60	09 18 560 7913	09 18 560 6913	09 18 560 5913		95,8	85,34	81,03	2,54 x 29 = 73,66	105,5
C	64	09 18 564 7913	09 18 564 6913	09 18 564 5913	100,9	90,42	86,11	2,54 x 31 = 78,74	110,6	
	06	09 18 506 7913 001	09 18 506 6913 001	09 18 506 5913 001	black	27,2	16,76	12,45	2,54 x 2 = 5,08	36,9
	10	09 18 510 7913 001	09 18 510 6913 001	09 18 510 5913 001		32,3	21,84	17,53	2,54 x 4 = 10,16	42,0
	14	09 18 514 7913 001	09 18 514 6913 001	09 18 514 5913 001		37,4	26,92	22,61	2,54 x 6 = 15,24	47,1
	16	09 18 516 7913 001	09 18 516 6913 001	09 18 516 5913 001		39,9	29,46	25,15	2,54 x 7 = 17,78	49,6
	20	09 18 520 7913 001	09 18 520 6913 001	09 18 520 5913 001		45,0	34,54	30,23	2,54 x 9 = 22,86	54,7
	24	09 18 524 7913 001	09 18 524 6913 001	09 18 524 5913 001		50,1	39,62	35,91	2,54 x 11 = 27,94	59,8
	26	09 18 526 7913 001	09 18 526 6913 001	09 18 526 5913 001		52,6	42,16	37,85	2,54 x 12 = 30,48	62,3
	30	09 18 530 7913 001	09 18 530 6913 001	09 18 530 5913 001		58,0	47,24	43,83	2,54 x 14 = 35,56	68,2
	34	09 18 534 7913 001	09 18 534 6913 001	09 18 534 5913 001		62,8	52,32	48,01	2,54 x 16 = 40,64	72,5
	40	09 18 540 7913 001	09 18 540 6913 001	09 18 540 5913 001		70,4	59,94	55,63	2,54 x 19 = 48,26	80,1
	50	09 18 550 7913 001	09 18 550 6913 001	09 18 550 5913 001		83,1	72,64	68,33	2,54 x 24 = 60,96	92,8
60	09 18 560 7913 001	09 18 560 6913 001	09 18 560 5913 001	95,8		85,34	81,03	2,54 x 29 = 73,66	105,5	
D	64	09 18 564 7913 001	09 18 564 6913 001	09 18 564 5913 001	100,9	90,42	86,11	2,54 x 31 = 78,74	110,6	
	06	09 18 506 7913 800	09 18 506 6913 800	09 18 506 5913 800	grey without printing	27,2	16,76	12,45	2,54 x 2 = 5,08	36,9
	10	09 18 510 7913 800	09 18 510 6913 800	09 18 510 5913 800		32,3	21,84	17,53	2,54 x 4 = 10,16	42,0
	14	09 18 514 7913 800	09 18 514 6913 800	09 18 514 5913 800		37,4	26,92	22,61	2,54 x 6 = 15,24	47,1
	16	09 18 516 7913 800	09 18 516 6913 800	09 18 516 5913 800		39,9	29,46	25,15	2,54 x 7 = 17,78	49,6
	20	09 18 520 7913 800	09 18 520 6913 800	09 18 520 5913 800		45,0	34,54	30,23	2,54 x 9 = 22,86	54,7
	24	09 18 524 7913 800	09 18 524 6913 800	09 18 524 5913 800		50,1	39,62	35,91	2,54 x 11 = 27,94	59,8
	26	09 18 526 7913 800	09 18 526 6913 800	09 18 526 5913 800		52,6	42,16	37,85	2,54 x 12 = 30,48	62,3
	30	09 18 530 7913 800	09 18 530 6913 800	09 18 530 5913 800		58,0	47,24	43,83	2,54 x 14 = 35,56	68,2
	34	09 18 534 7913 800	09 18 534 6913 800	09 18 534 5913 800		62,8	52,32	48,01	2,54 x 16 = 40,64	72,5
	40	09 18 540 7913 800	09 18 540 6913 800	09 18 540 5913 800		70,4	59,94	55,63	2,54 x 19 = 48,26	80,1
	50	09 18 550 7913 800	09 18 550 6913 800	09 18 550 5913 800		83,1	72,64	68,33	2,54 x 24 = 60,96	92,8
60	09 18 560 7913 800	09 18 560 6913 800	09 18 560 5913 800	95,8		85,34	81,03	2,54 x 29 = 73,66	105,5	
E	64	09 18 564 7913 800	09 18 564 6913 800	09 18 564 5913 800	100,9	90,42	86,11	2,54 x 31 = 78,74	110,6	

	All rights reserved	Created by	Inspected by	Standardisation	Date	State
	Department EC PD - DE	STORCK	TADJE	KOHLER	2015-12-21	Final Release
HARTING Electronics GmbH		Title				Doc-Key / ECM-Nr.
D-32339 Espelkamp		SEK 18 male standard conn angled with short lever 2.9				100154464/UGD/021/A 50000094595
		Type	Number	Rev.	Page	
		TB	09185XXX913	A	2/2	