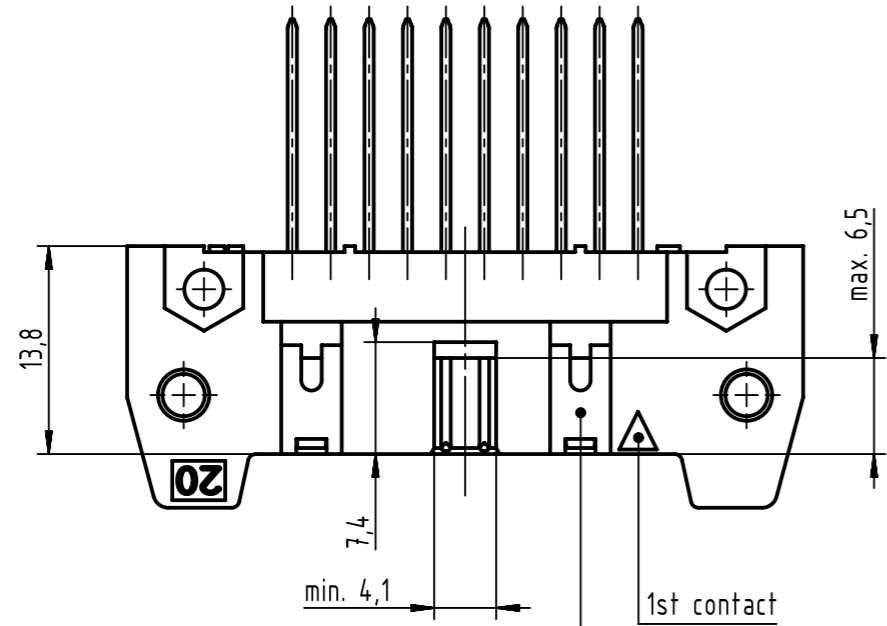
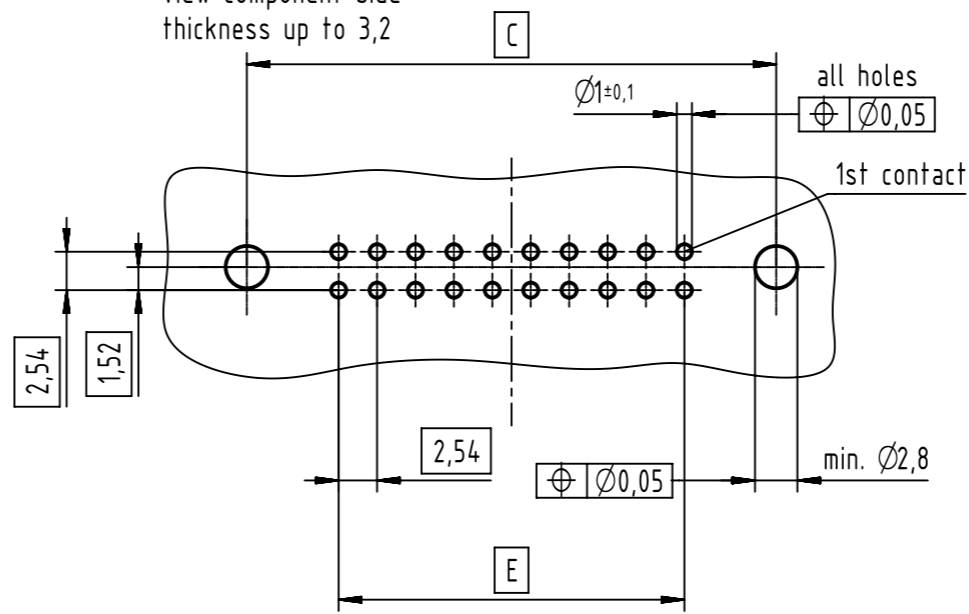
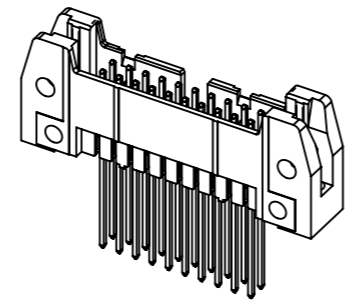


PCB layout
view component side
thickness up to 3,2



see table for coding,
feature arrangement and style



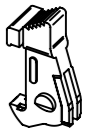
further information
see: DS 09181200001

full range of P/N's and
dimensions shown on page 2/2

coding style table

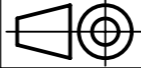
	style A: for connectors 6-pole
	style B: for connectors from 10 to 14-pole
	style C: for connectors from 16 to 64-pole

locking levers have to be order separately
- long locking lever: 09180009903
- short locking lever: 09180009904



	All Dimensions in mm Original Size DIN A3	Scale 2:1	Free size tol. IEC 60603-13	Ref.	
	All rights reserved Department EC PD - DE	Created by STORCK	Inspected by TADJE	Standardisation KOHLER	Date 2015-12-21
HARTING Electronics GmbH D-32339 Espelkamp		Title SEK 18 male standard conn str WW w/o lever 15.0		State Final Release	
		Type TB	Number 09185XXX927	Doc-Key / ECM-Nr. 100154464/UGD/052/A 50000094595	Rev. A
				Page 1/2	

no. of contacts	performance level			insulator colour	dimensions			
	PL3	PL2	S4		A max.	C	D	E
	part number	part number	part number					
06	09 18 506 7927	09 18 506 6927	09 18 506 5927	grey	27,2	22,86	12,45	2,54 x 2 = 5,08
10	09 18 510 7927	09 18 510 6927	09 18 510 5927		32,3	27,94	17,53	2,54 x 4 = 10,16
14	09 18 514 7927	09 18 514 6927	09 18 514 5927		37,4	33,02	22,61	2,54 x 6 = 15,24
16	09 18 516 7927	09 18 516 6927	09 18 516 5927		39,9	35,56	25,15	2,54 x 7 = 17,78
20	09 18 520 7927	09 18 520 6927	09 18 520 5927		45,0	40,64	30,23	2,54 x 9 = 22,86
24	09 18 524 7927	09 18 524 6927	09 18 524 5927		50,1	45,72	35,91	2,54 x 11 = 27,94
26	09 18 526 7927	09 18 526 6927	09 18 526 5927		52,6	48,26	37,85	2,54 x 12 = 30,48
30	09 18 530 7927	09 18 530 6927	09 18 530 5927		58,0	53,34	43,83	2,54 x 14 = 35,56
34	09 18 534 7927	09 18 534 6927	09 18 534 5927		62,8	58,42	48,01	2,54 x 16 = 40,64
40	09 18 540 7927	09 18 540 6927	09 18 540 5927		70,4	66,04	55,63	2,54 x 19 = 48,26
50	09 18 550 7927	09 18 550 6927	09 18 550 5927		83,1	78,74	68,33	2,54 x 24 = 60,96
60	09 18 560 7927	09 18 560 6927	09 18 560 5927		95,8	91,44	81,03	2,54 x 29 = 73,66
64	09 18 564 7927	09 18 564 6927	09 18 564 5927		100,9	96,52	86,11	2,54 x 31 = 78,74

	All Dimensions in mm Original Size DIN A3	Scale 1:1	Free size tol.		Ref.
	All rights reserved Department EC PD - DE	Created by STORCK	Inspected by TADJE	Standardisation KOHLER	Date 2015-12-21
HARTING Electronics GmbH D-32339 Espelkamp		Title SEK 18 male standard conn str WW w/o lever 15.0			State Final Release
		Type TB	Number 09185XXX927		Doc-Key / ECM-Nr. 100154464/UGD/052/A 50000094595
				Rev. A	Page 2/2