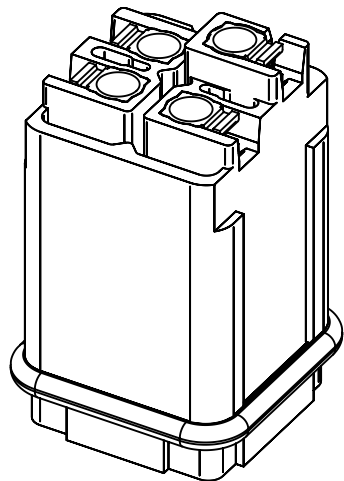
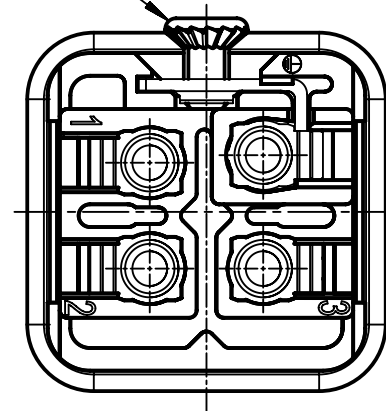
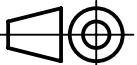



insert fixing screw M3x6
enclosed separately



	All Dimensions in mm Original Size DIN A4		Scale 2:1	Free size tol.		Ref.
			Created by HELLMANN	Inspected by RIEPE	Standardisation GARSKE	Sub.
All rights reserved Department EL PD		HARTING Electric GmbH & Co. KG D-32339 Espelkamp		Title Han 3A male insert with Quick-Lock		Date 2019-04-25
				State Final Release		Doc-Key / ECM-Nr. 100179207/UGD/005/E 500000150527
				Type TB	Number 09 20 003 2633	Rev. E
						Page 1/1