

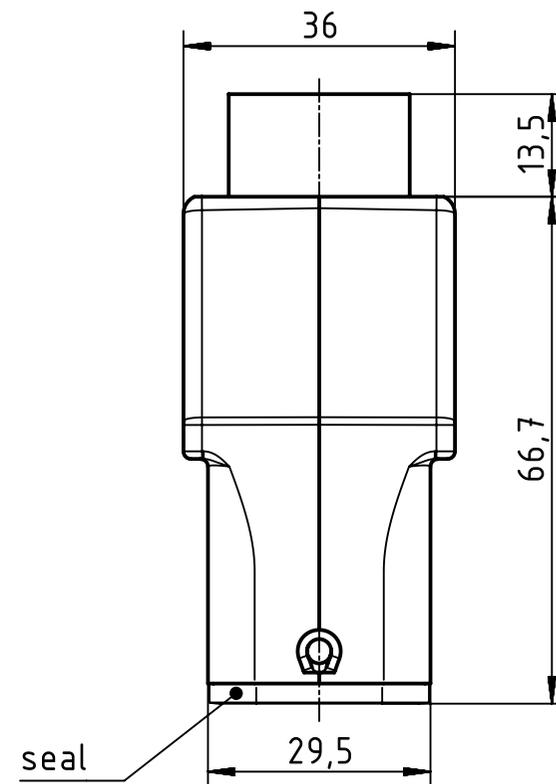
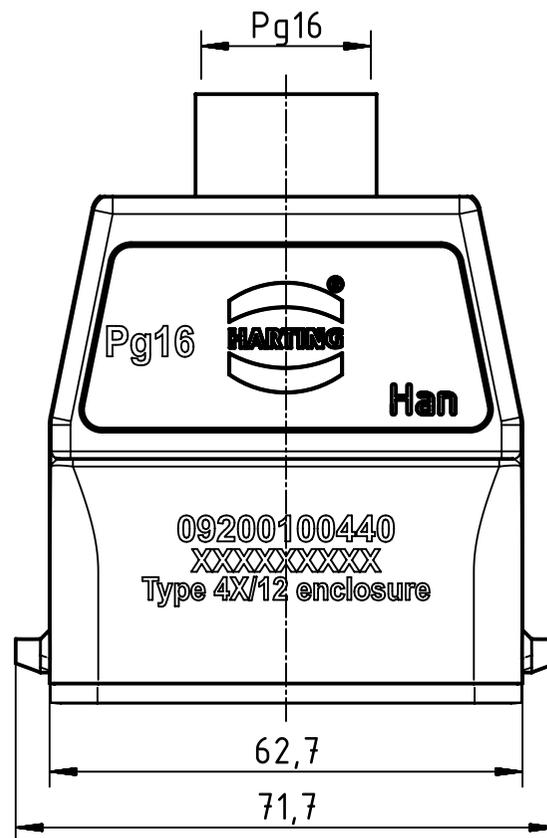
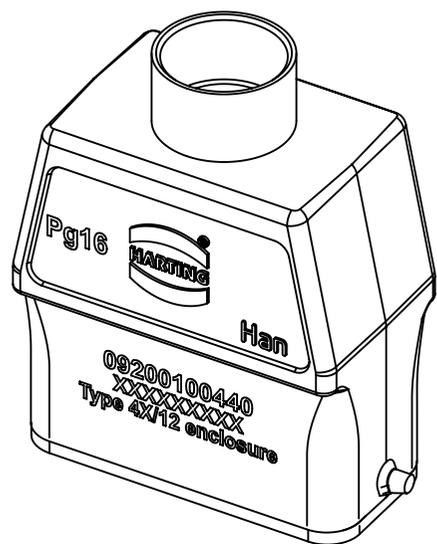
1 2 3 4 5 6

A

B

C

D



	All Dimensions in mm Original Size DIN A4		Scale 1:1	Free size tol.		Ref.
						Sub.
	All rights reserved		Created by FINKEV	Inspected by BERGHORN	Standardisation RUETERA	Date 2017-11-23
	Department EL PD - DE					State Final Release
HARTING Electric GmbH & Co. KG D-32339 Espelkamp			Title Han 10A-gg-16			Doc-Key / ECM-Nr. 100189384/UGD/004/C 500000127496
			Type TB	Number 09 20 010 0440		Rev. <b>C</b> Page 1/1