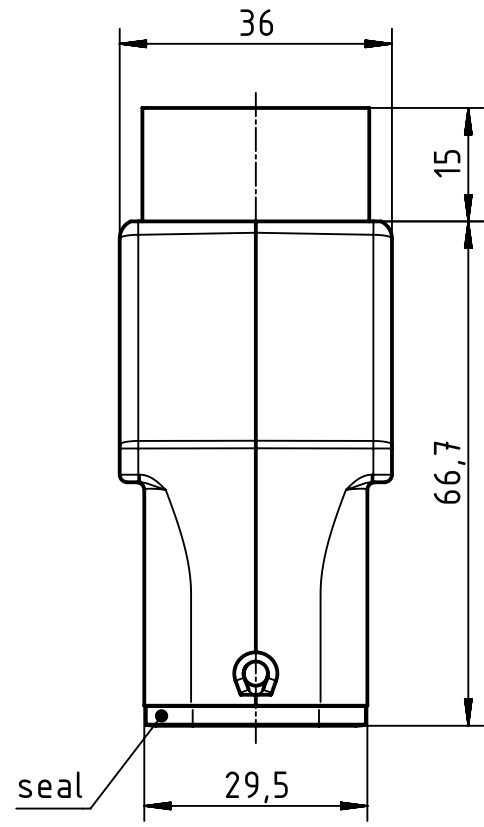
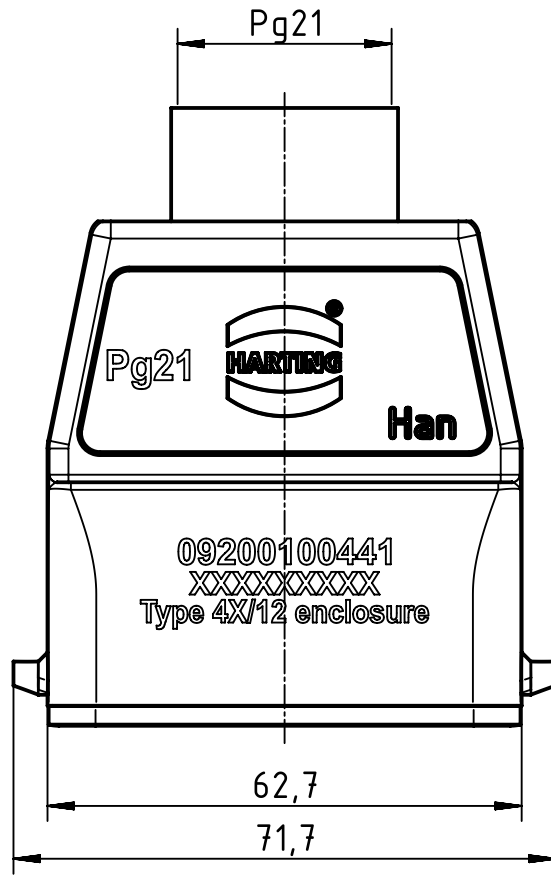
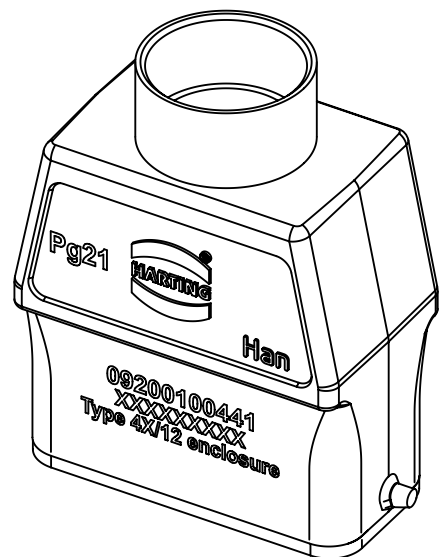


1 2 3 4 5 6

A
B
C
D



| | | | | | | | |
|---|--|--|------------------------|--------------------------|----------------------------|--|------------------------|
| | All Dimensions in mm Original Size DIN A4 | | Scale 1:1 | Free size tol. | | Ref. | |
| | | | | | | Sub. | |
| | All rights reserved | | Created by FINKEV | Inspected by BERGHORN | Standardisation RUETERA | Date 2017-11-23 | State Final Release |
| | Department EL PD - DE | | Title Han 10A-gg-21 | | | Doc-Key / ECM-Nr. 100189394/UGD/004/C 500000127496 | |
| HARTING Electric GmbH & Co. KG D-32339 Espelkamp | | | Type TB | Number 09 20 010 0441 | | Rev. C | Page 1/1 |