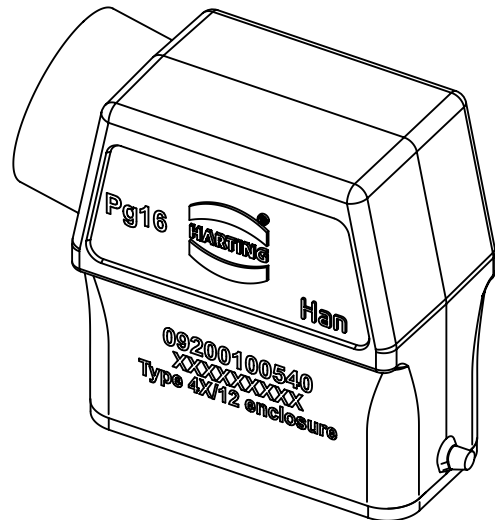
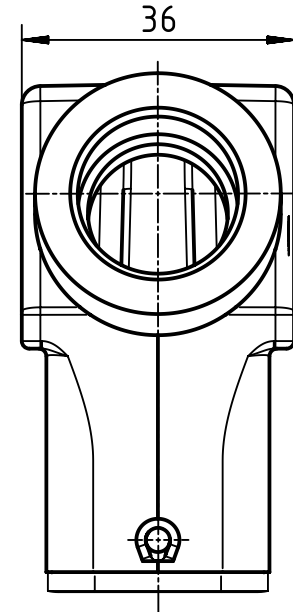
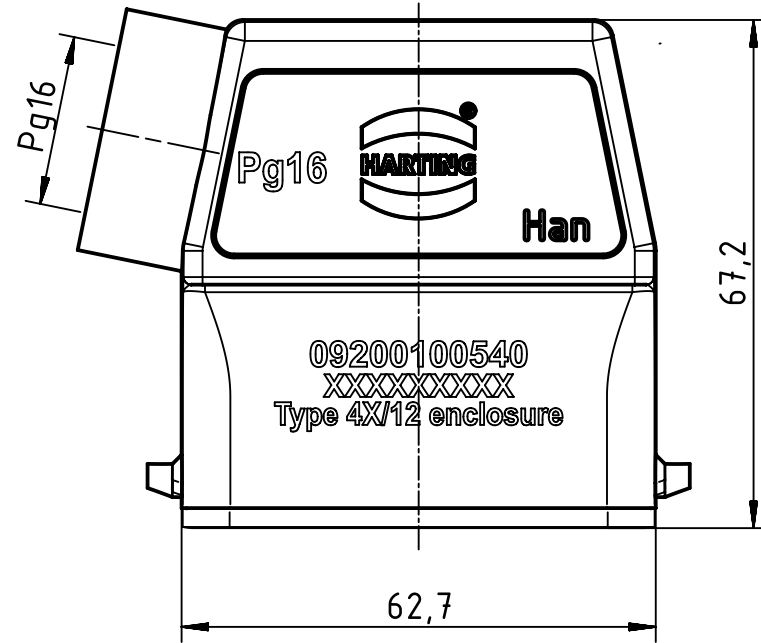


1 2 3 4 5 6

A
B
C
D



	All Dimensions in mm Original Size DIN A4		Scale 1:1	Free size tol.		Ref.		
						Sub.		
	All rights reserved		Created by FINKEV	Inspected by BERGHORN	Standardisation RUETERA	Date 2017-11-23	State Final Release	
	Department EL PD - DE		Title Han 10A-gs-16				Doc-Key / ECM-Nr. 100189407/UGD/004/B 500000127496	
HARTING Electric GmbH & Co. KG D-32339 Espelkamp			Type TB	Number 09 20 010 0540			Rev. B	Page 1/1