

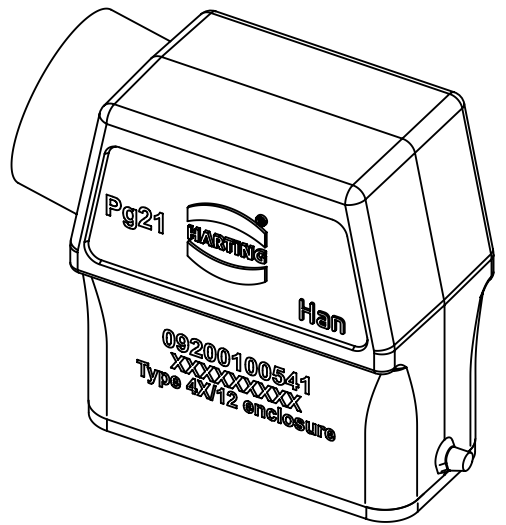
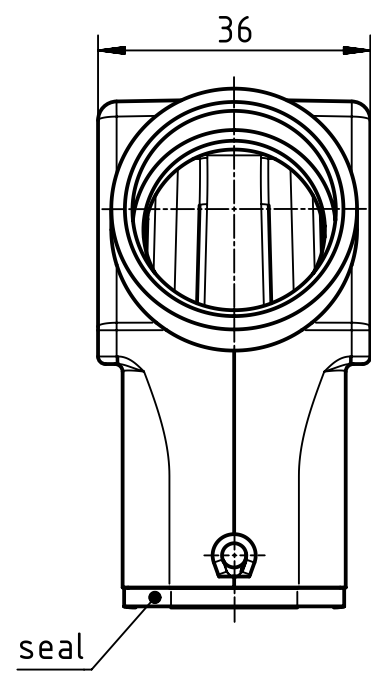
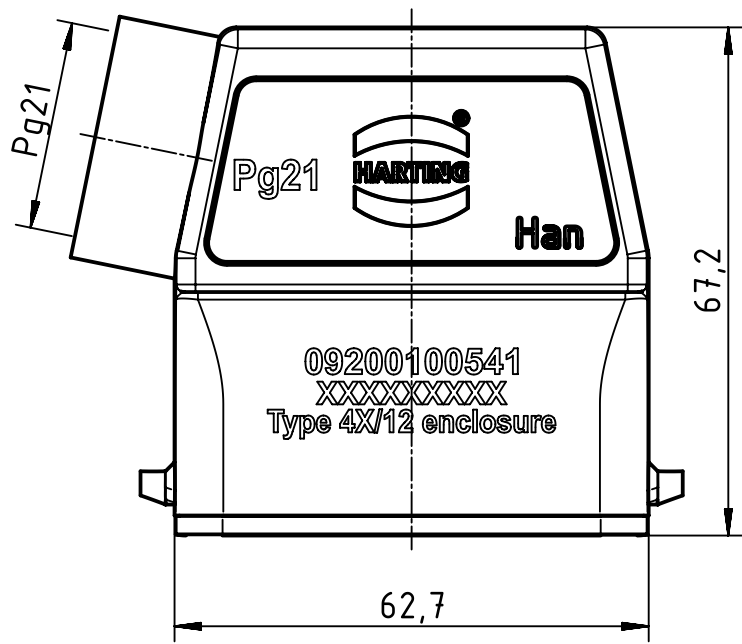
1 2 3 4 5 6

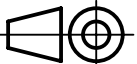

A

B

C

D



 All Dimensions in mm Original Size DIN A4	Scale	Free size tol.			Ref.	
	1:1				Sub.	
 All rights reserved Department EL PD - DE	Created by	Inspected by	Standardisation	Date	State	
	FINKEV	BERGHORN	RUETERA	2017-11-23	Final Release	
HARTING Electric GmbH & Co. KG D-32339 Espelkamp	Title				Doc-Key / ECM-Nr.	
	Han 10A-gs-21				1001894.05/UGD/004/B 5000001274.96	
Type		Number			Rev.	Page
TB		09 20 010 0541			B	1/1