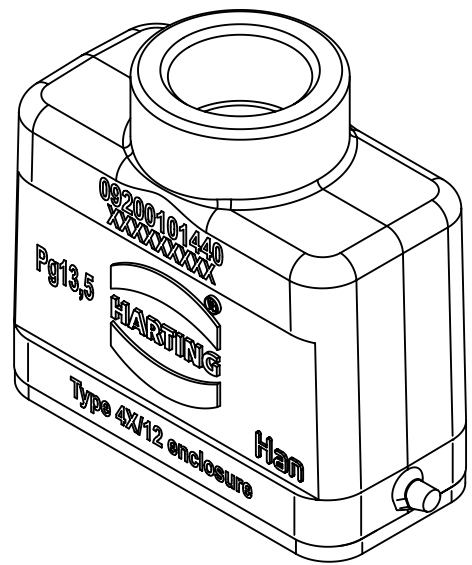
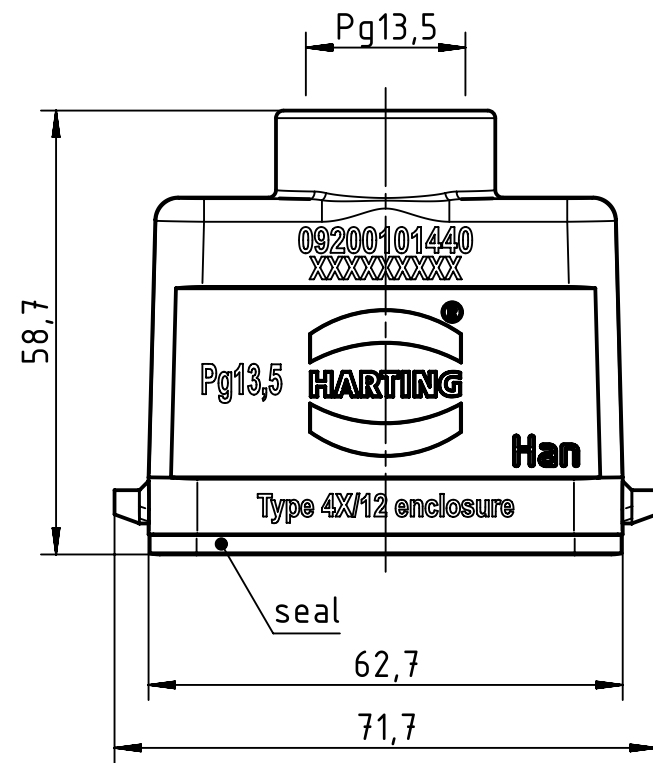


A

B

C

D



	All Dimensions in mm Original Size DIN A4		Scale 1:1	Free size tol.		Ref. Sub. TB 09 20 010 1440 v. 23.04.99		
		All rights reserved	Created by RULLKOETTER	Inspected by BERGHORN	Standardisation RUETERA	Date 2018-03-09	State Final Release	
Department EL PD - DE		Title Han 10A-GG-13,5				Doc-Key / ECM-Nr. 100110630/UGD/005/B 500000132035		
HARTING Electric GmbH & Co. KG D-32339 Espelkamp			Type TB	Number 09 20 010 1440			Rev. B	Page 1/1