

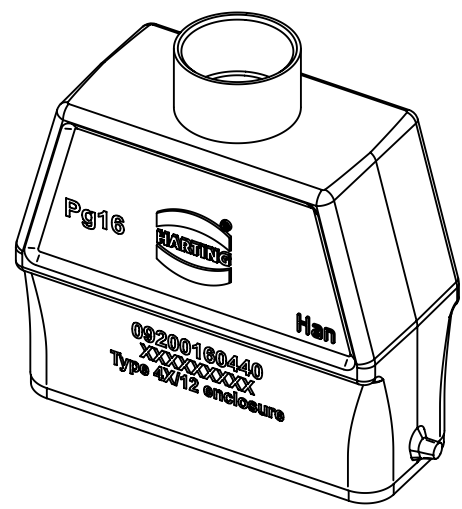
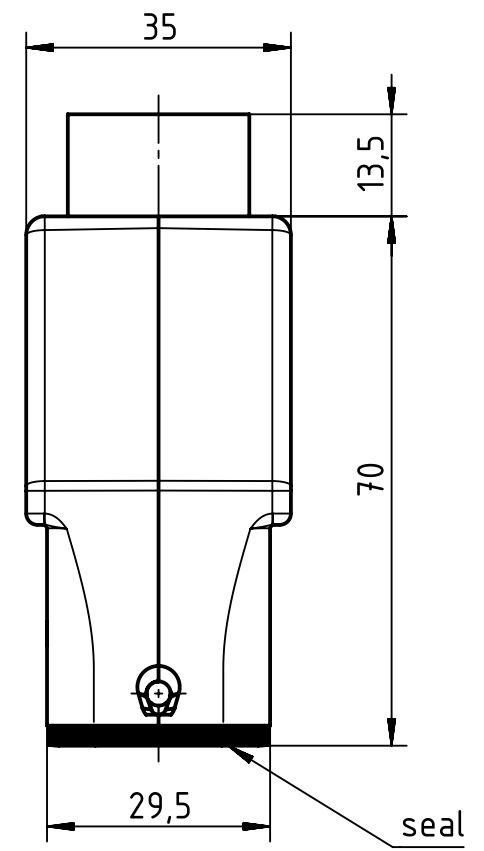
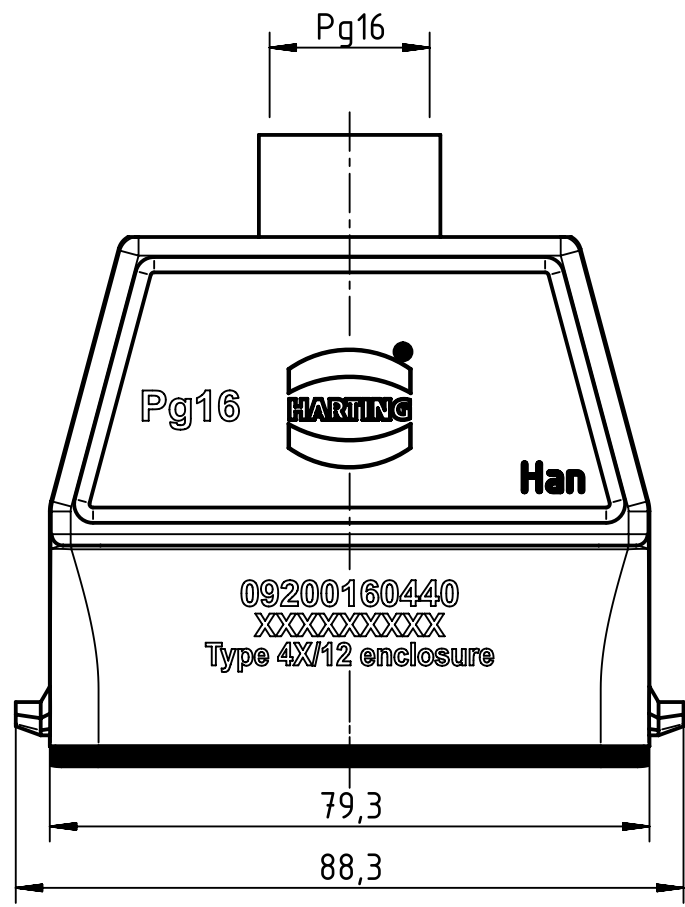
1 2 3 4 5 6

A

B

C

D



| | | | | | | |
|---|--|--|---|--------------------------|----------------------------|--|
| | All Dimensions in mm Original Size DIN A4 | | Scale 1:1 | Free size tol. | | Ref. |
| | | | | | | Sub. |
| | All rights reserved | | Created by RULLKOETTER | Inspected by GERB | Standardisation RUETERA | Date 2018-08-08 |
| | Department EL PD | | | | | State Final Release |
| HARTING Electric GmbH & Co. KG D-32339 Espelkamp | | | Title Han A Hood Top Entry HC 2 Pegs PG 16 | | | Doc-Key / ECM-Nr. 100189473/UGD/006/D 500000136875 |
| | | | Type TB | Number 09 20 016 0440 | | Rev. D |
| | | | | | | Page 1/1 |