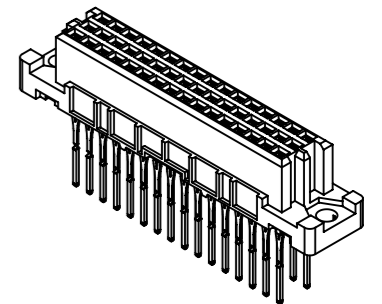
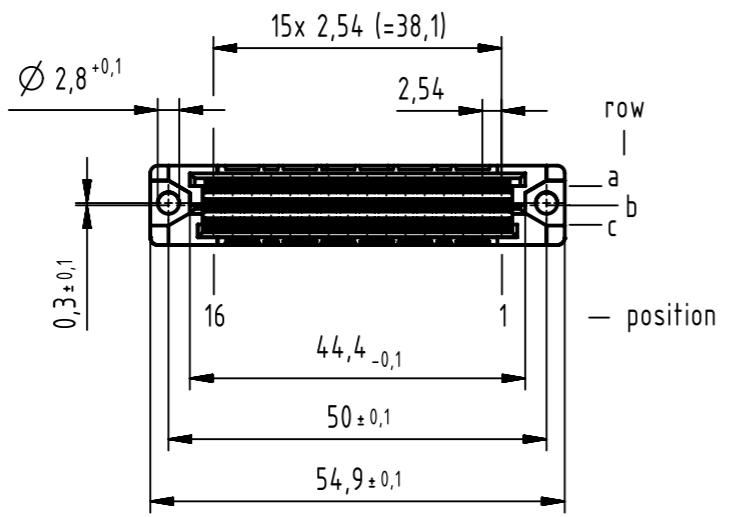
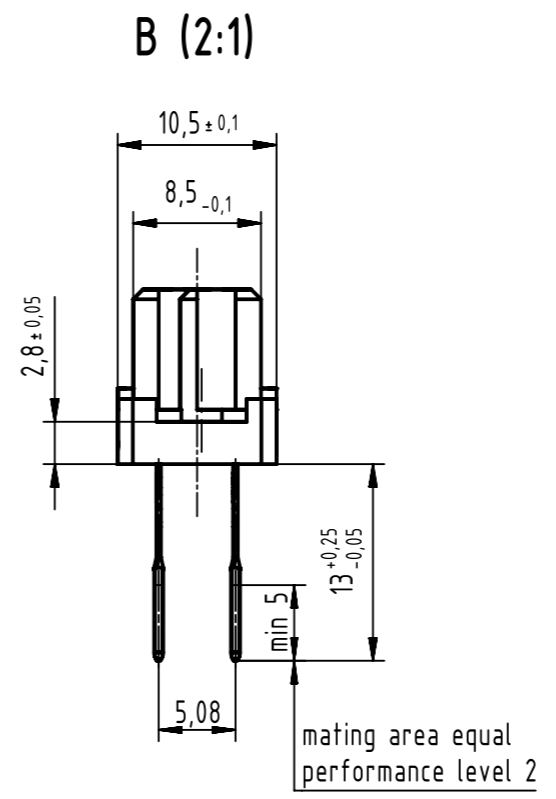
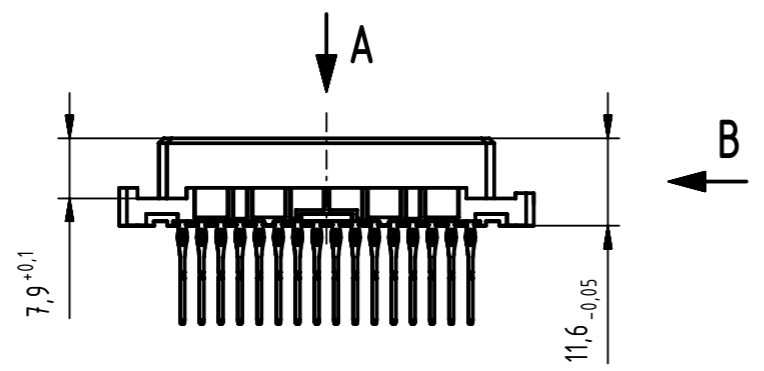


32 press-in contacts

☒ = position with contact
☐ = position without contact



① recommended configuration of plated through holes and further information see: DS 09032100002

09 23 232 6861	2
part-no	performance level ①

	All rights reserved	Created by	Inspected by	Standardisation	Date	State
	Department EC PD - DE	STORCK	LEHNERT	KOHLER	2016-05-20	Final Release
HARTING Electronics GmbH D-32339 Espelkamp		Title DIN Signal type 2C female press-in 13.0			Doc-Key / ECM-Nr. 100222175/UGD/010/C 500000104358	
Type	TB	Number	0923232X861		Rev.	Page
					C	1/1