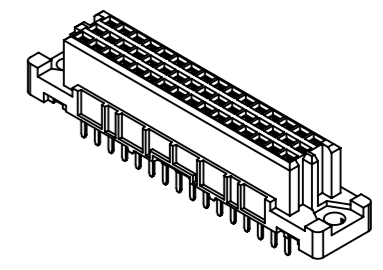
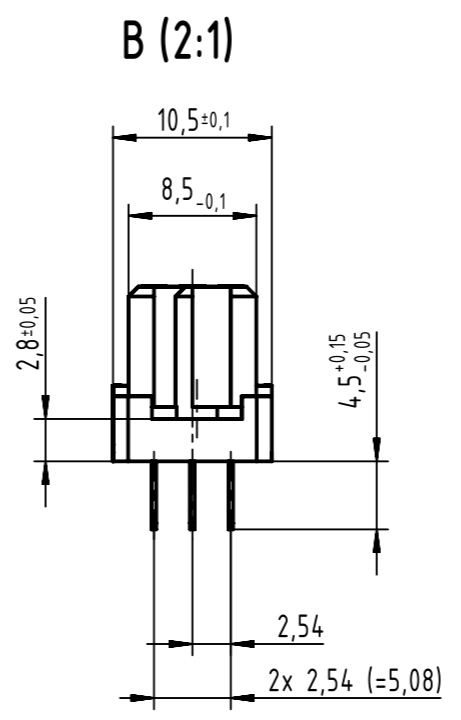
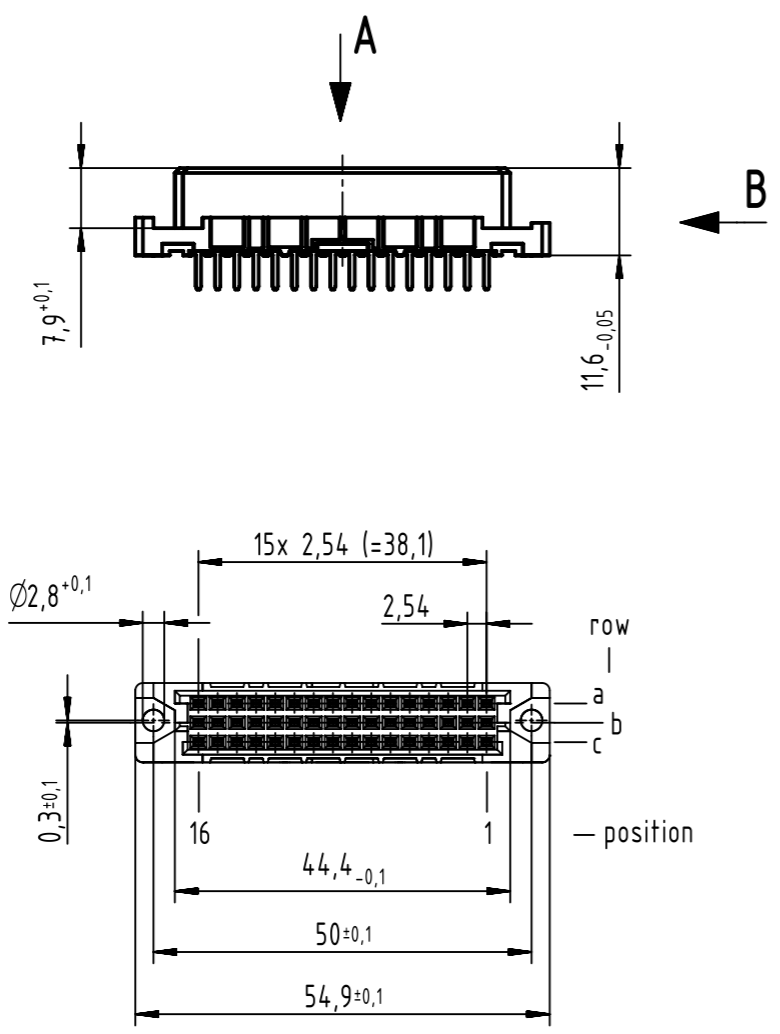


48 solder contacts

☒ = solder contact

☐ = position without contact



09 23 248 5825 015	Au30
09 23 248 7825	3
09 23 248 6825	2
09 23 248 2825	1
part no.	performance level 1

1 further information see: DS 09032100001

	All Dimensions in mm Original Size DIN A3	Scale 1:1	Free size tol. IEC 60603-2	Ref. Sub. TB 09 23 248 x825 / Mod. 36417 / 18.07.2011	
	All rights reserved Department EL PD	Created by STORCK	Inspected by LEHNERT	Standardisation HOFFMANN	Date 2018-08-27
HARTING Electronics GmbH D-32339 Espelkamp		Title DIN Signal type 2C female solder 4.5 48-pole			Doc-Key / ECM-Nr. 100181948/UGD/053/B 500000139282
		Type TB	Number 0923248X825		Rev. B Page 1/1