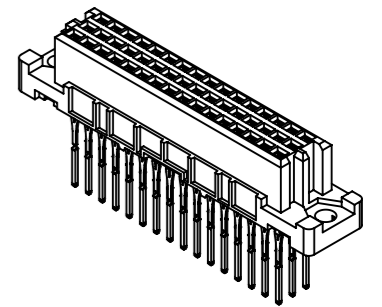
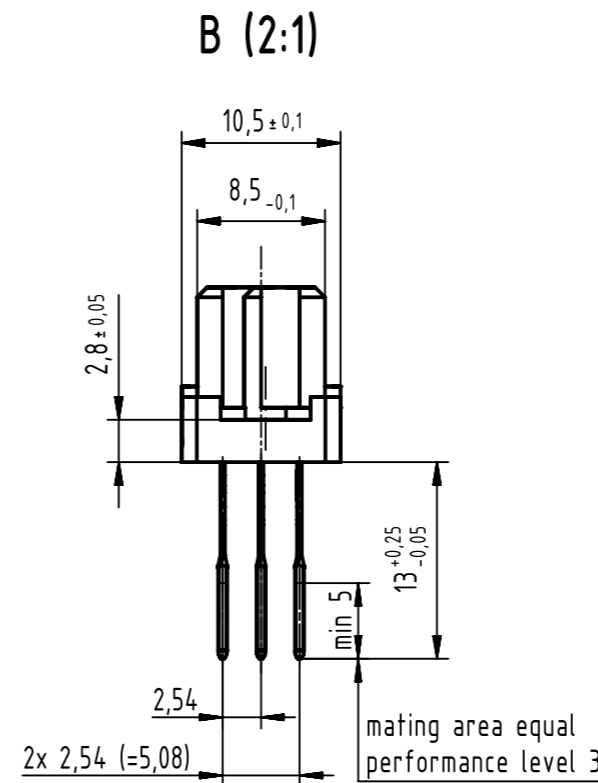
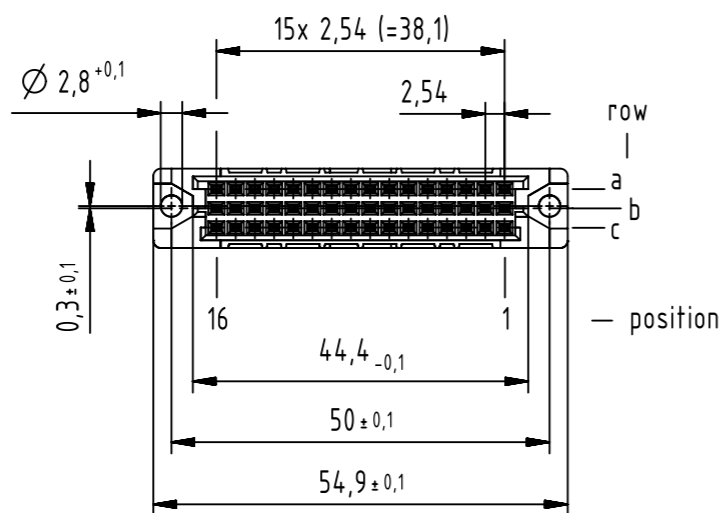
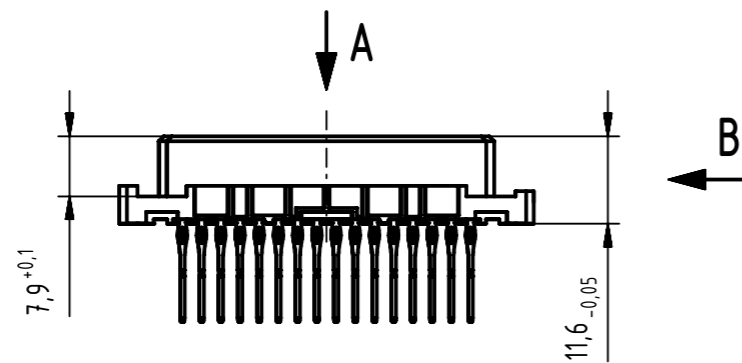


48 press-in contacts

⊗ = position with contact

□ = position without contact



① recommended configuration of plated through holes and further information see: DS 09032100001

09 23 248 5861 015	Au30
09 23 248 6861	2
part-no	performance level ①

	All rights reserved	Created by LEHNERT	Inspected by TADJE	Standardisation HOFFMANN	Date 2019-06-13	State Final Release
	Department EL PD	Title DIN Signal type 2C female press-in 13.0 48-pole				Doc-Key / ECM-Nr. 100222175/UGD/011/C 500000153444
HARTING Electronics GmbH D-32339 Espelkamp		Type TB	Number 0923248X861		Rev. C	Page 1/1