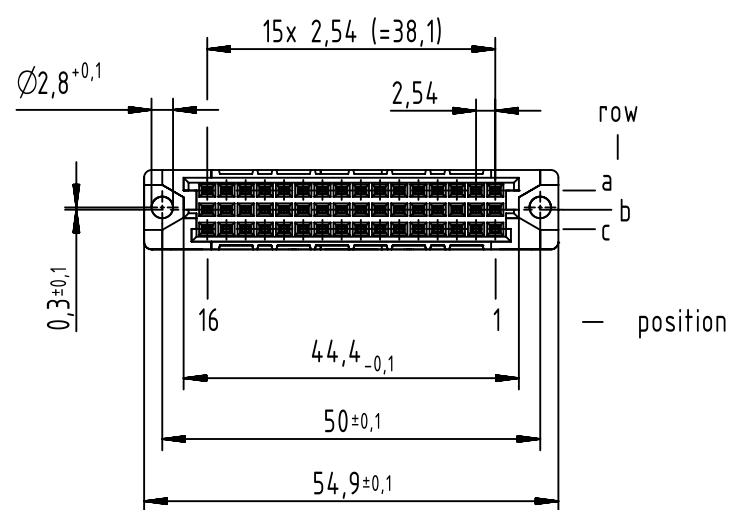
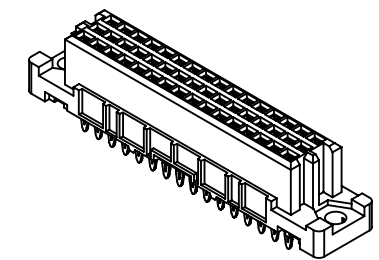
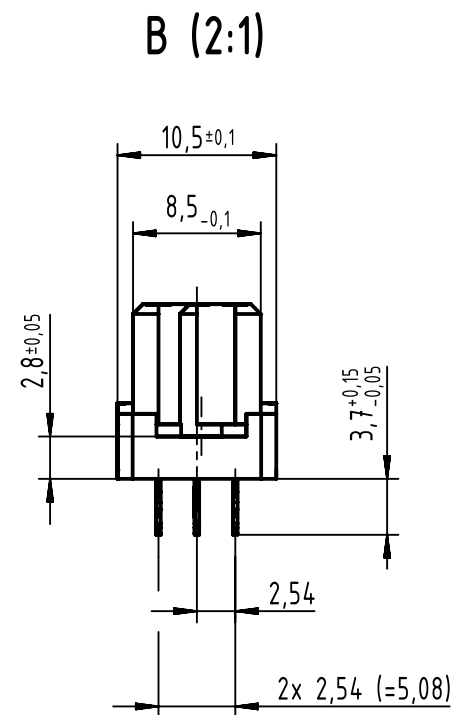
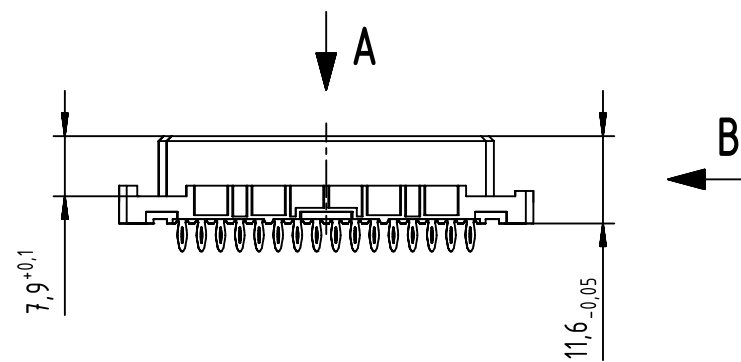


48 press-in contacts

☒ = press-in contact

☐ = position without contact



$\varnothing 1$ recommended configuration of plated through holes and further information see: DS 09032100001

09 23 248 5866 015	Au30
09 23 248 5866	NM30 (S4)
09 23 248 6866	2
part no.	performance level $\varnothing 1$

	All Dimensions in mm Original Size DIN A3	Scale 1:1	Free size tol. IEC 60603-2	Ref. Sub.
	All rights reserved Department EL PD	Created by LEHNERT	Inspected by TADJE	Standardisation HOFFMANN
HARTING Electronics GmbH D-32339 Espelkamp	Title DIN Signal type 2C female press-in 3.7 48-pole			Date 2019-06-13
Type TB		Number 0923248X866		State Final Release
				Doc-Key / ECM-Nr. 100181948/UGD/063/D 500000153444
				Rev. D Page 1/1