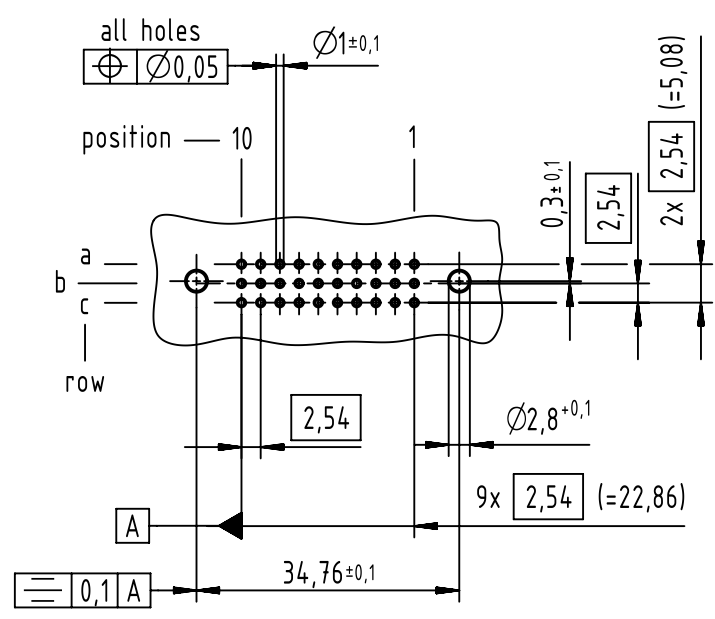
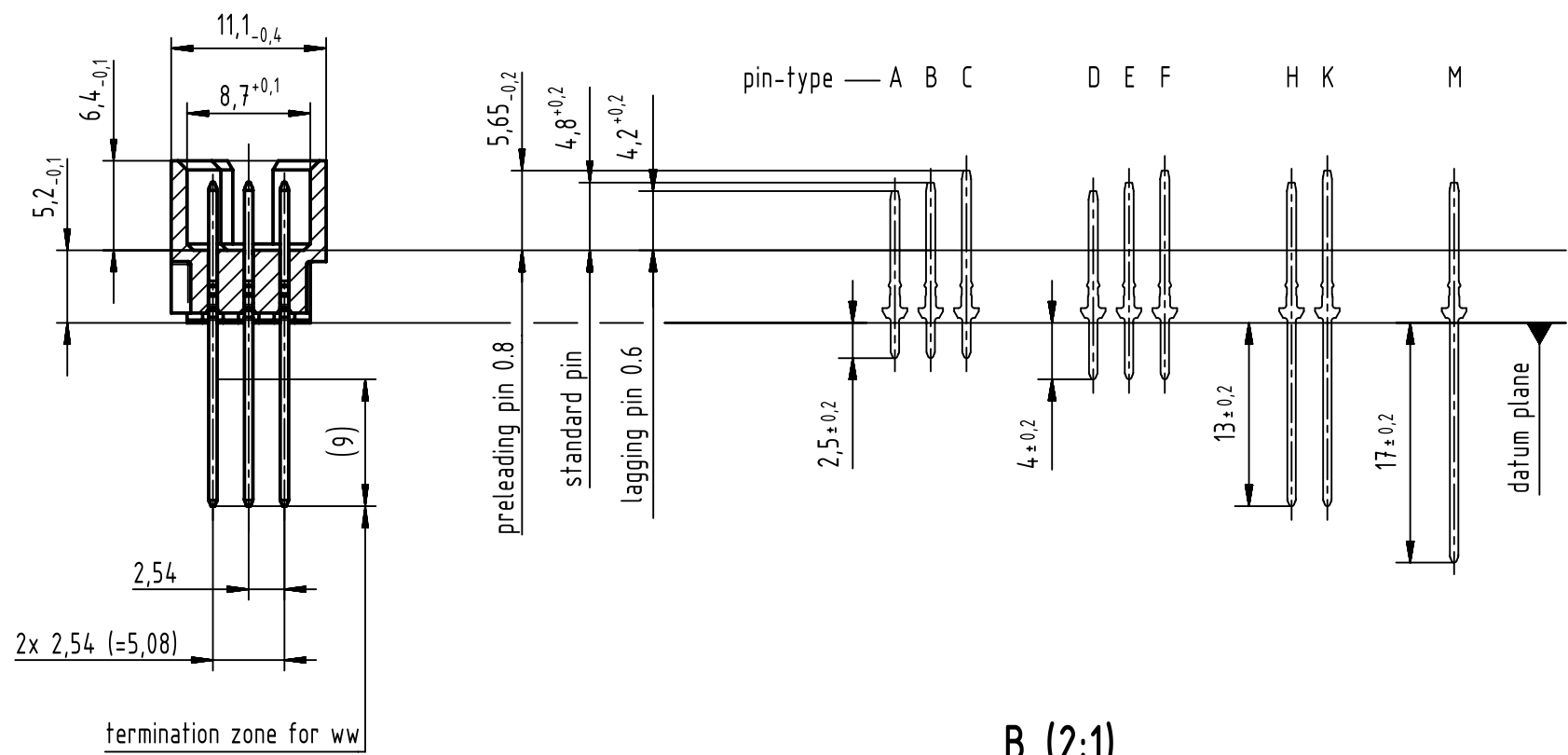


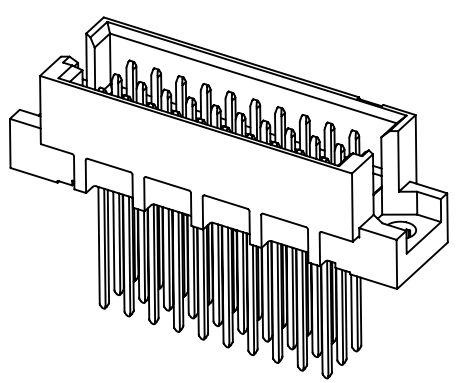
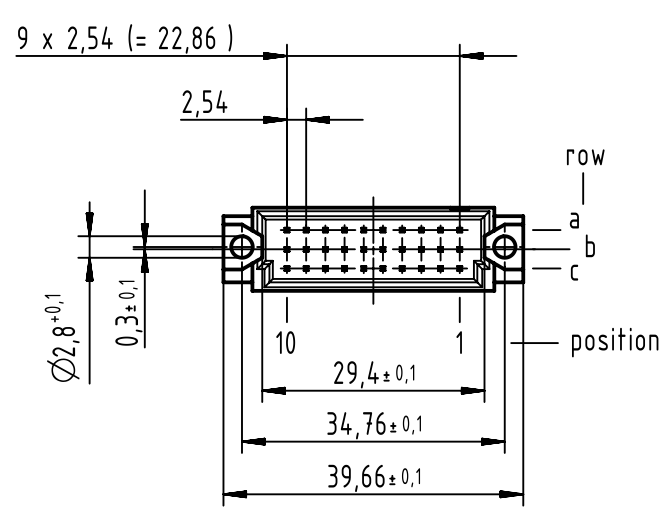
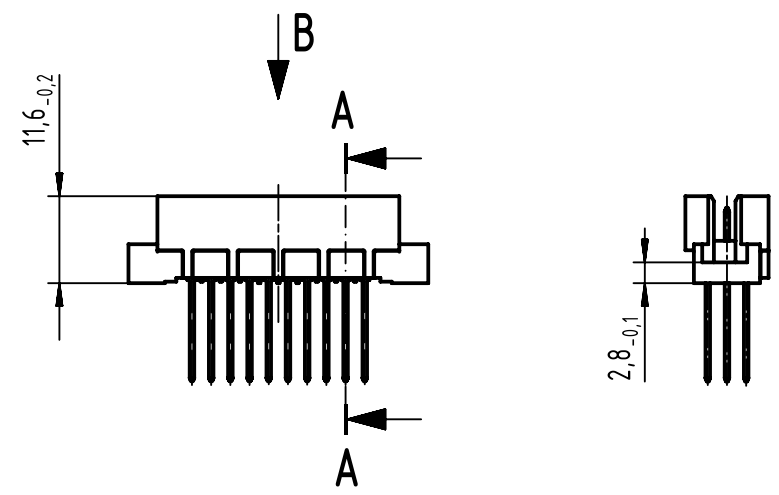
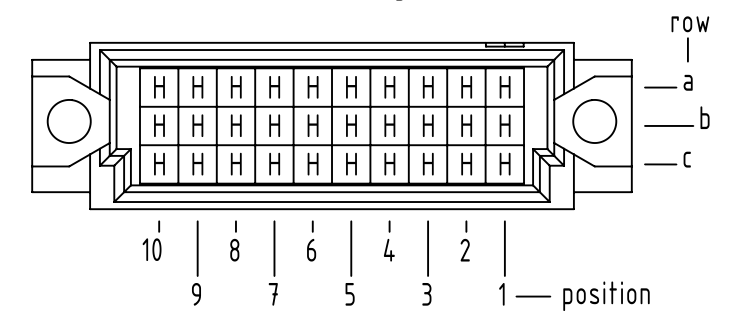
B
board drillings



A-A (2:1)



B (2:1)
contact loading



1 further information see: DS 09731100001

09 29 130 6907	2
part no.	performance level 1

	All Dimensions in mm Original Size DIN A3		Scale 1:1	Free size tol. complementary IEC 60603-2		Ref.	
	All rights reserved Department EL PD		Created by STORCK	Inspected by LEHNERT	Standardisation HOFFMANN	Date 2019-03-20	State Final Release
HARTING Electronics GmbH D-32339 Espelkamp		Title DIN Signal type 3R male wire wrap 13.0 30-pole			Doc-Key / ECM-Nr. 100223818/UGD/015/B 50000014.8631		Rev. B
		Type TB	Number 0929130X907		Page 1/1		