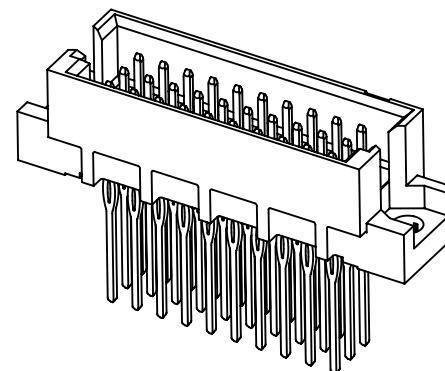
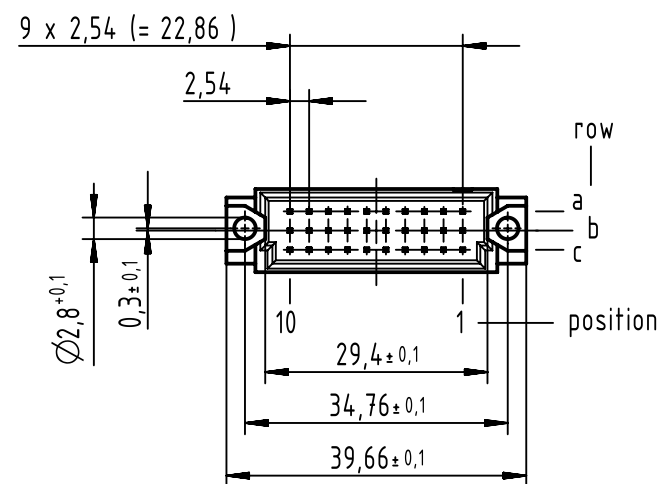
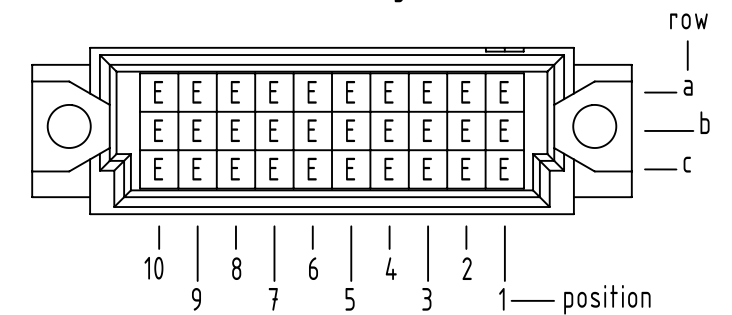


B (2:1) contact loading



1 recommended configuration of plated through holes and further information see: DS 09731100001

09 29 130 6974	2
part no.	performance level 1

	All rights reserved	Created by STORCK	Inspected by LEHNERT	Standardisation HOFFMANN	Date 2019-03-20	State Final Release	
	Department EL PD	Title DIN Signal type 3R male press-in 13.0 30-pole				Doc-Key / ECM-Nr. 100223818/UGD/008/B 50000014.8631	
HARTING Electronics GmbH D-32339 Espelkamp		Type TB	Number 0929130X974			Rev. B	Page 1/1