

1 2 3 4 5

A

B

C

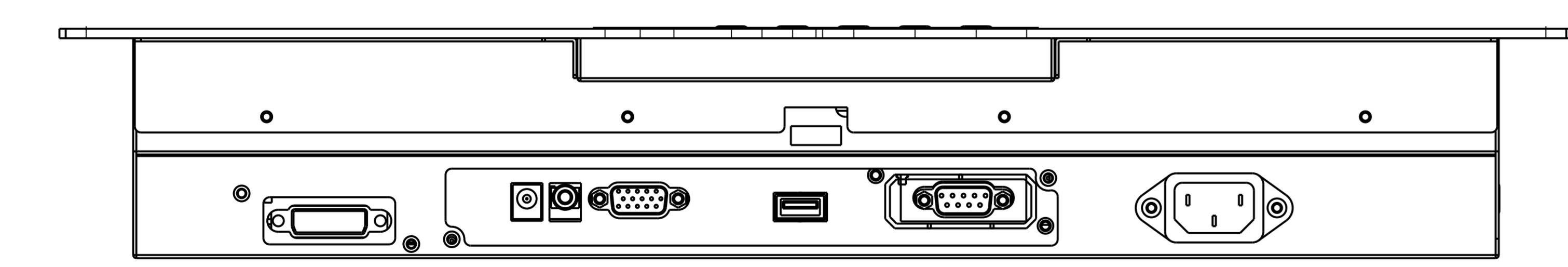
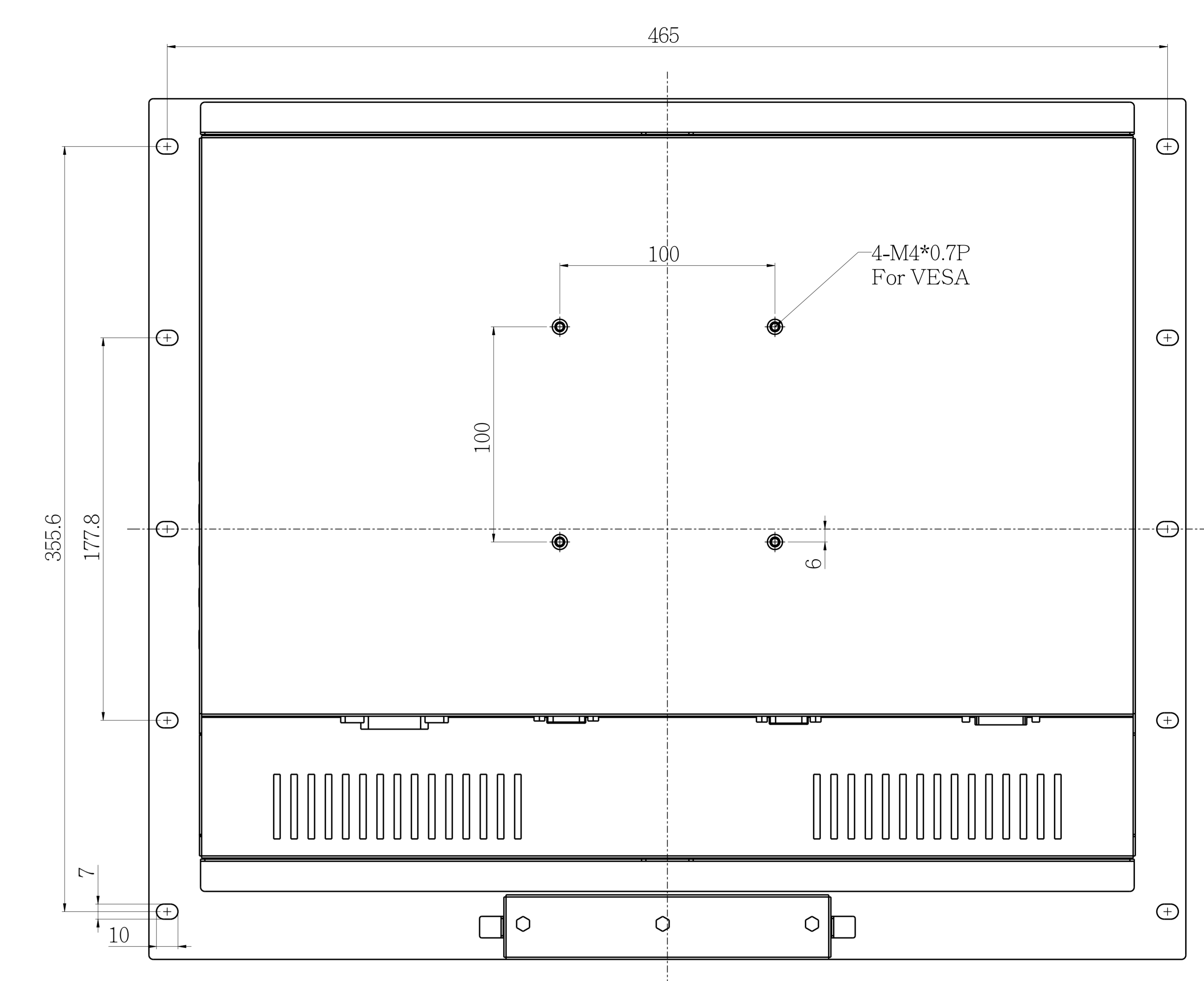
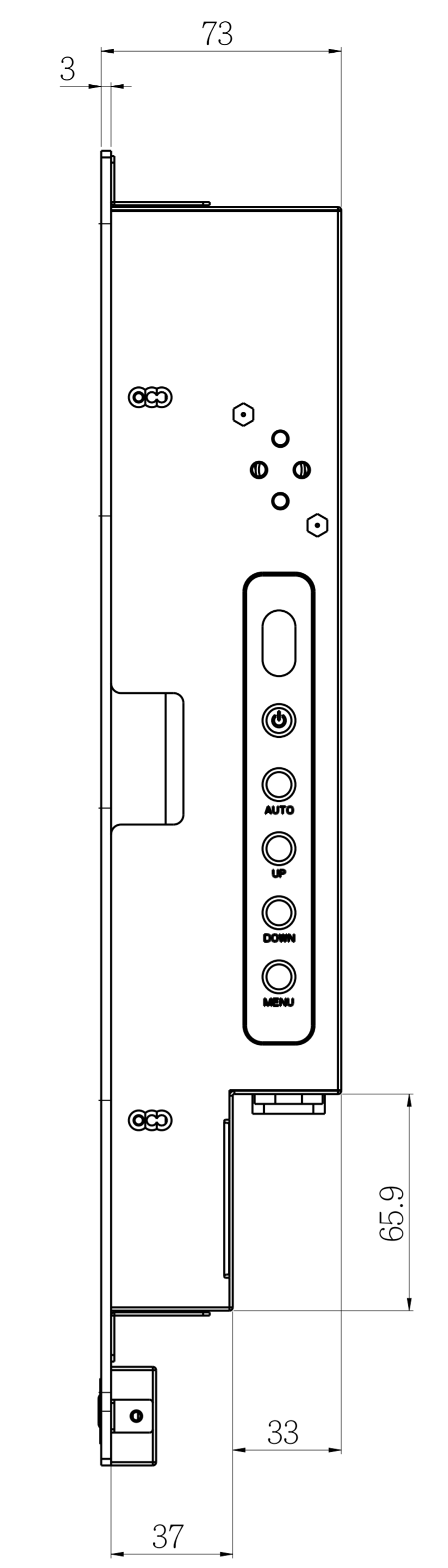
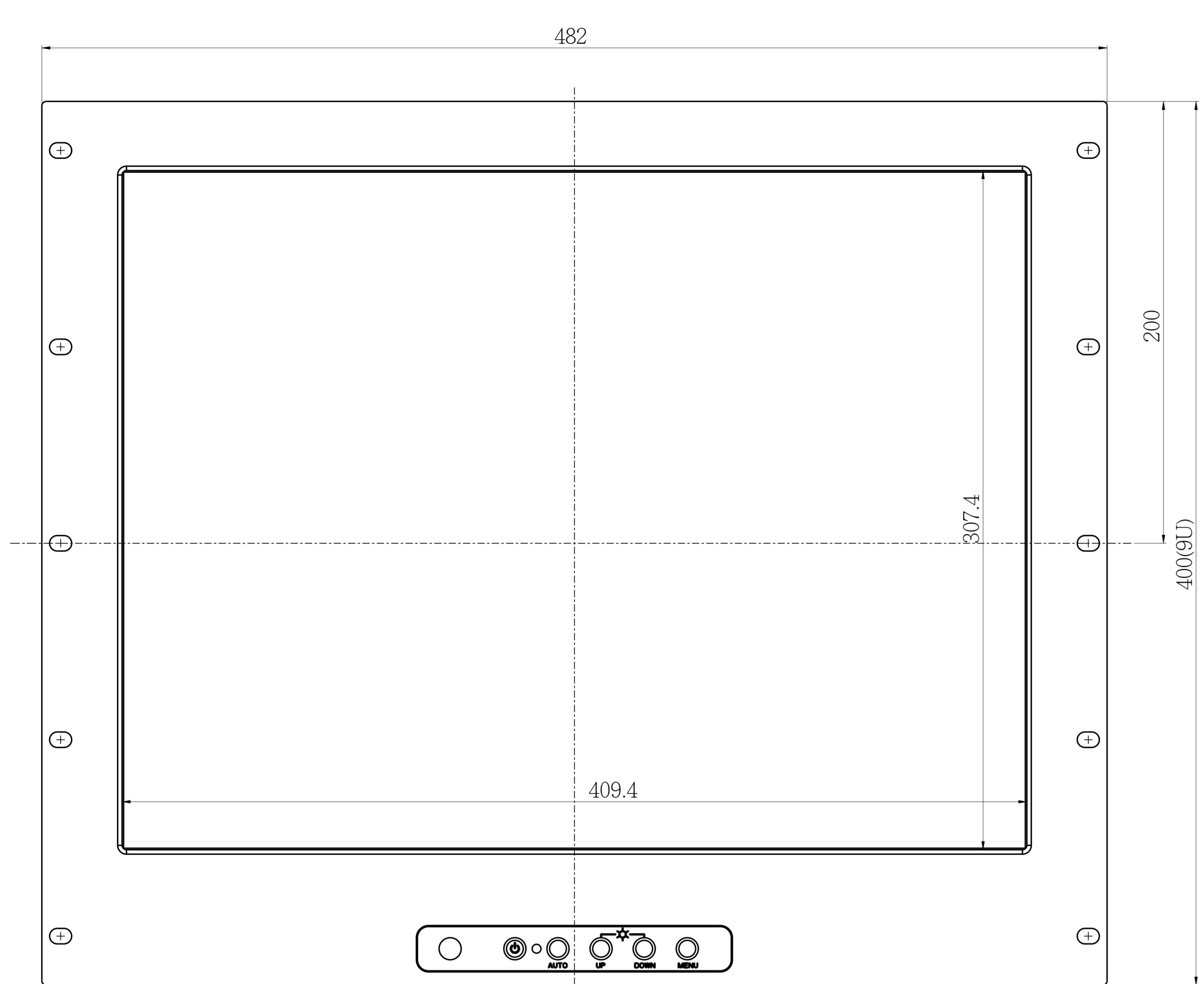
D

A

B

C

D



AD/BOARD		MODEL	RM2007	泓瑜科技有限公司 WINSONIC TECH. CO., LTD.					SCALE 0.800 UNIT MM
INVERTER		PART NO.							
KEY PAD		MATERIAL	METAL	DATE	2012-Feb-04	APPROVED		DRAWN	Jack
PANEL:									

1 2 3 4 5