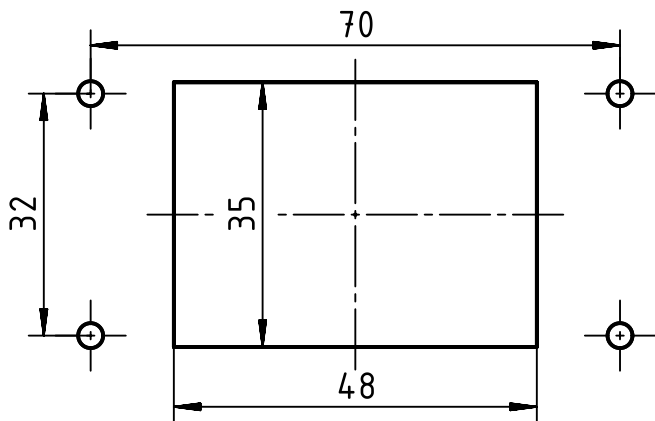
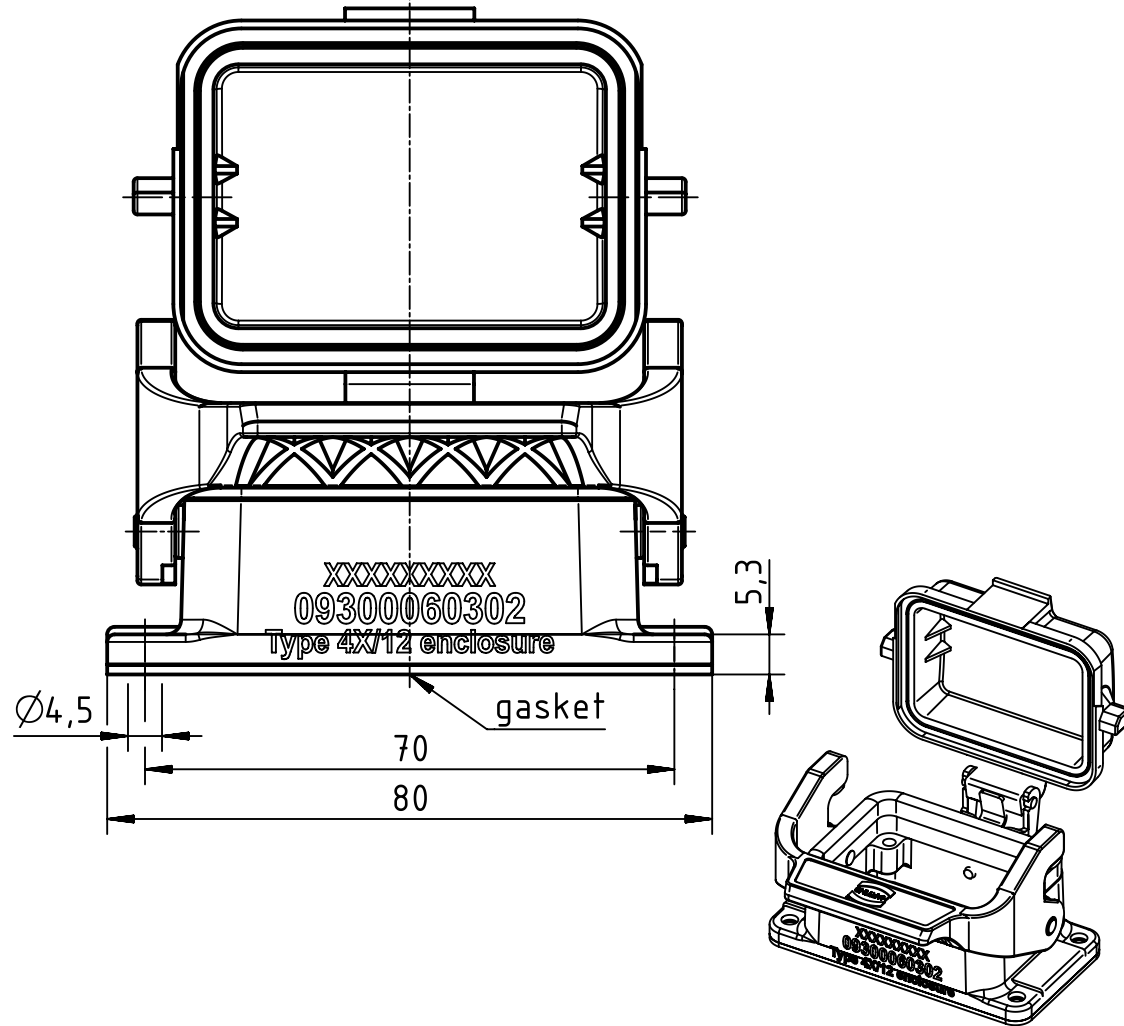


panel cut out



	All rights reserved Department EL PD - DE	All Dimensions in mm Original Size DIN A4			Scale 1:1	Free size tol.	Ref.	
		HARTING Electric GmbH & Co. KG D-32339 Espelkamp	Created by FINKEV	Inspected by BERGHORN	Standardisation TIEMANNA	Date 2016-09-19	State Final Release	Sub.
Title Han B Base Panel 1 Lever Thermoplastic C							Doc-Key / ECM-Nr. 100180049/UGD/004/C 500000109044	
Type TB					Number 09 30 006 0302		Rev. C	Page 1/1