

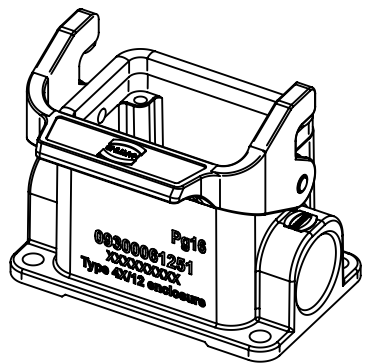
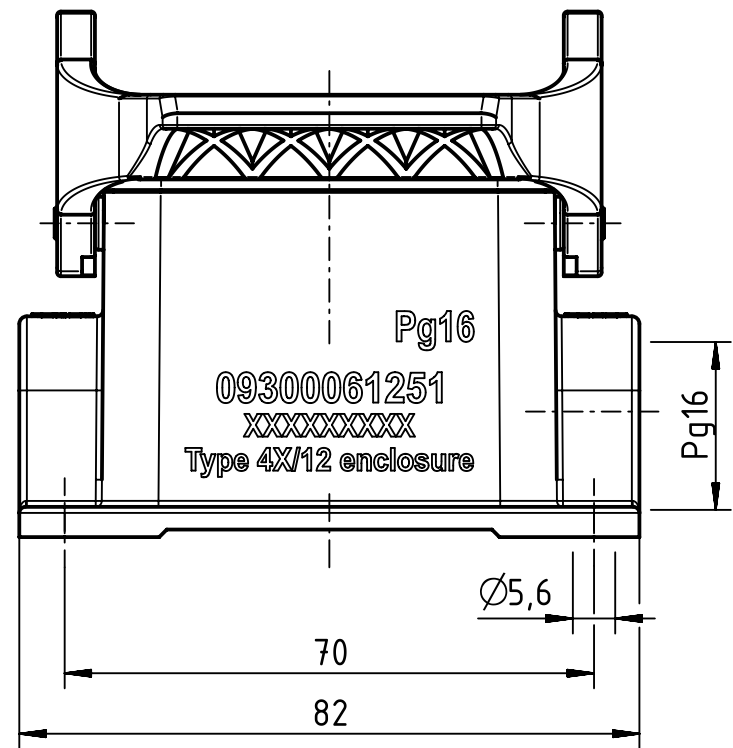
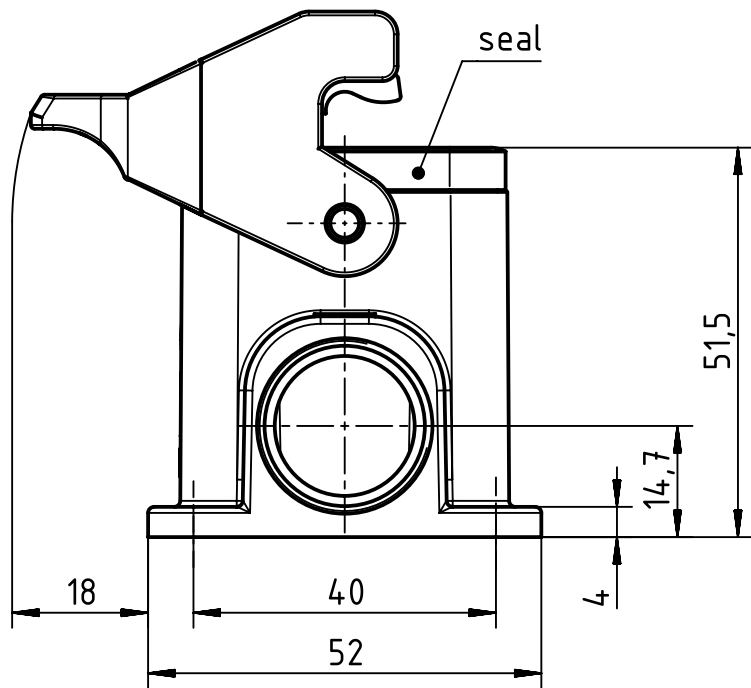
1 2 3 4 5 6

A

B

C

D



	All Dimensions in mm Original Size DIN A4		Scale 1:1	Free size tol.		Ref. Sub. TB 09 30 006 1251 v. 26.04.11	
		All rights reserved	Created by RULLKOETTER	Inspected by BERGHORN	Standardisation TIEMANNA	Date 2016-09-14	State Final Release
Department EL PD - DE		Title Han B Base Surface LC 1 Lever 1 Entry PG				Doc-Key / ECM-Nr. 100208665/UGD/004/B 500000108296	
HARTING Electric GmbH & Co. KG D-32339 Espelkamp		Type TB	Number 09 30 006 1251			Rev. B	Page 1/1