

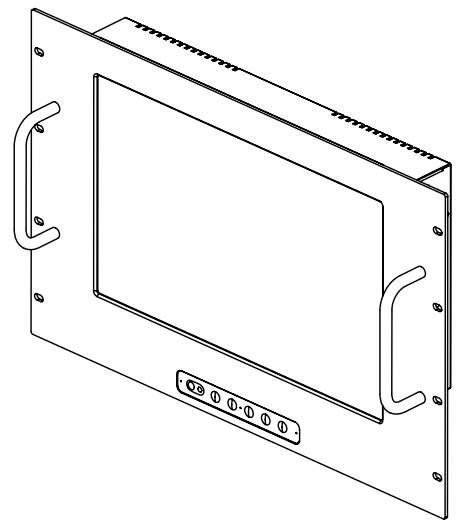
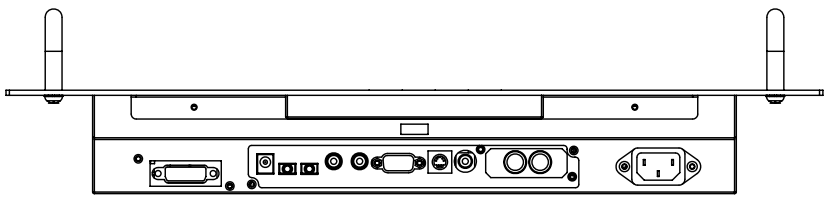
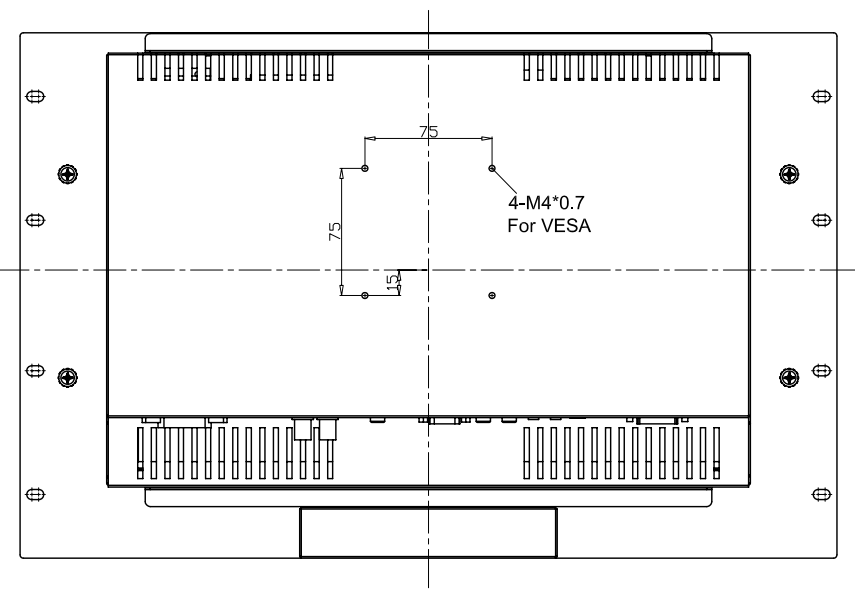
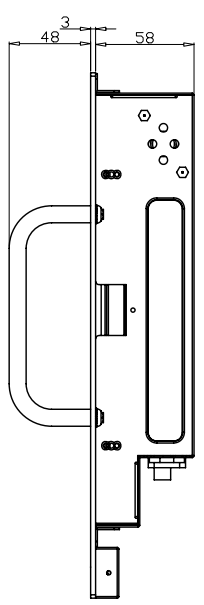
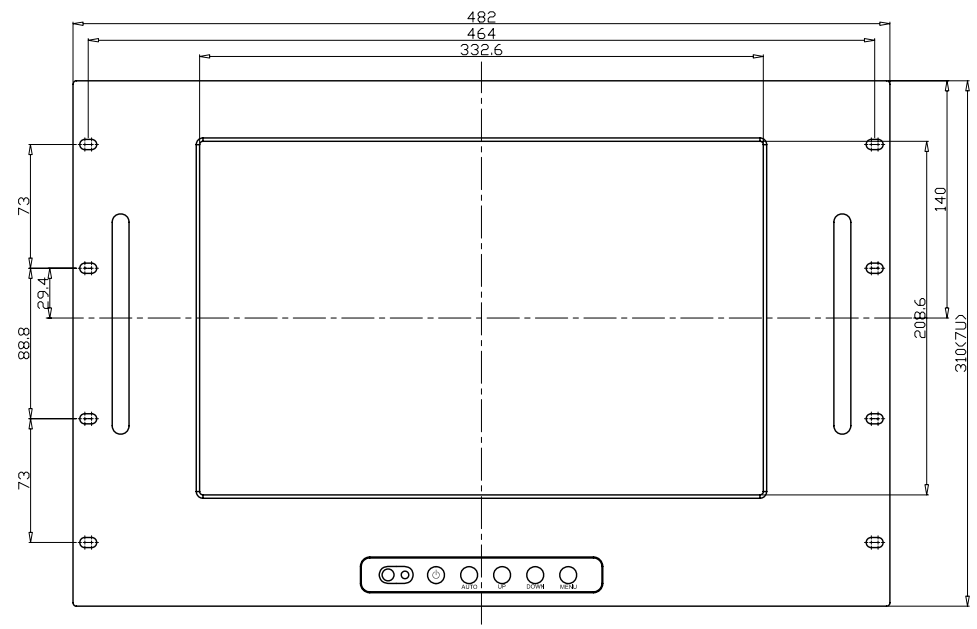
1 2 3 4 5

A

B

C

D



AD/BOARD		MODEL	RM1545		泓瑜科技有限公司 WINSONIC TECH. CO., LTD.				
INVERTER		PART NO.							PART NAME
KEY PAD		MATERIAL	SECC	DATE	02/04/2009	APPROVED		DRAWN	JACK
PANEL:								REV.	
								DWG	SIZE

1 2 3 4 5