

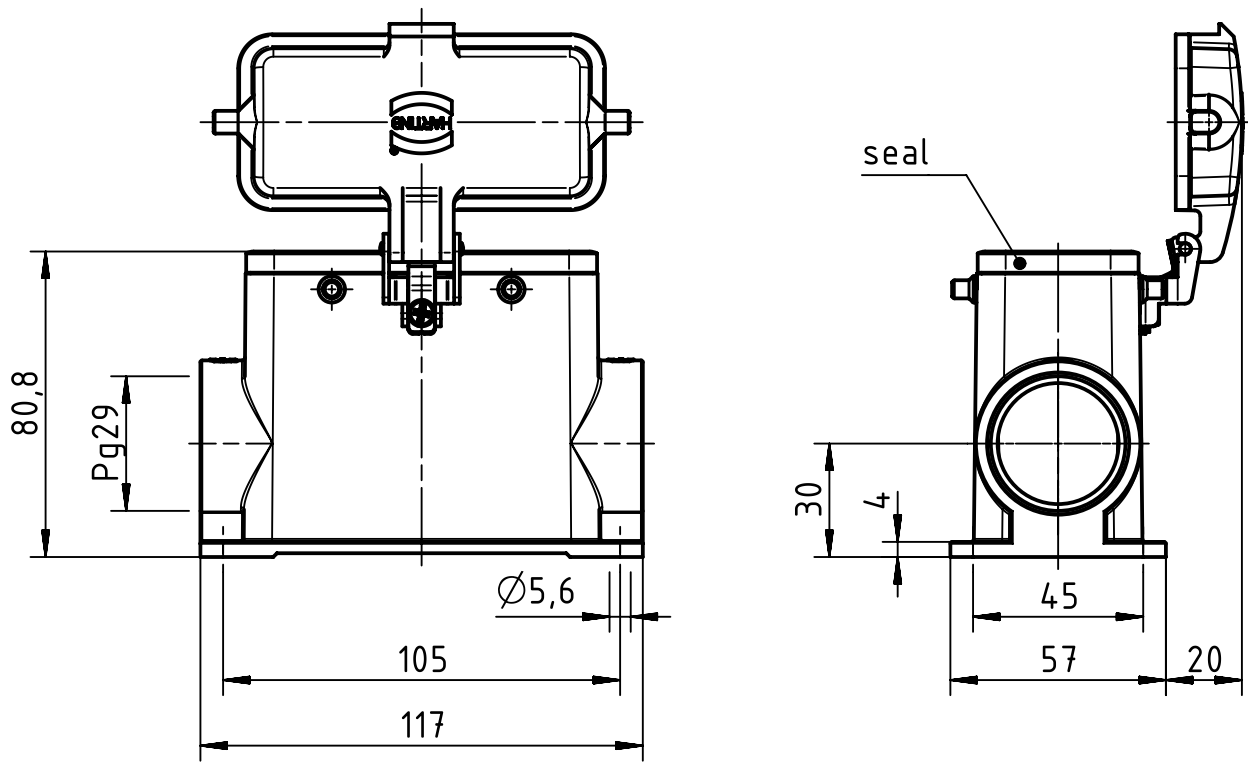
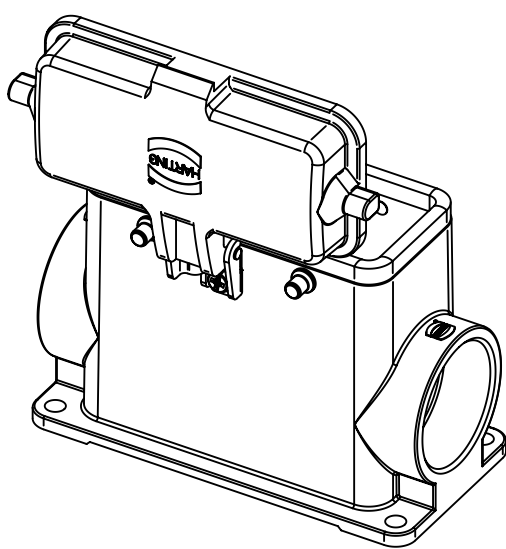
1 2 3 4 5 6

A

B

C

D



	All Dimensions in mm Original Size DIN A4		Scale 1:2	Free size tol.		Ref.	
						Sub.	
	All rights reserved		Created by FINKEV	Inspected by BERGHORN	Standardisation SCHMIDTM	Date 2016-06-01	State Final Release
	Department EL PD - DE		Title Han 16B-asg1-K-29			Doc-Key / ECM-Nr. 100208447/UGD/004/A 500000104878	
HARTING Electric GmbH & Co. KG D-32339 Espelkamp			Type TB	Number 09 30 016 0221		Rev. A	Page 1/1