

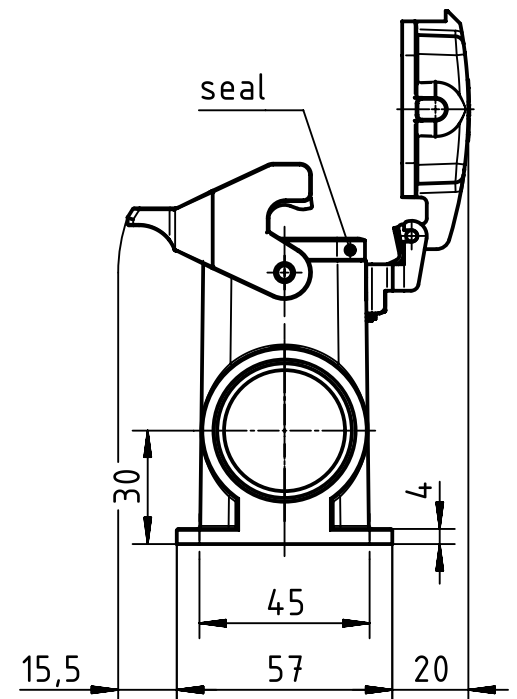
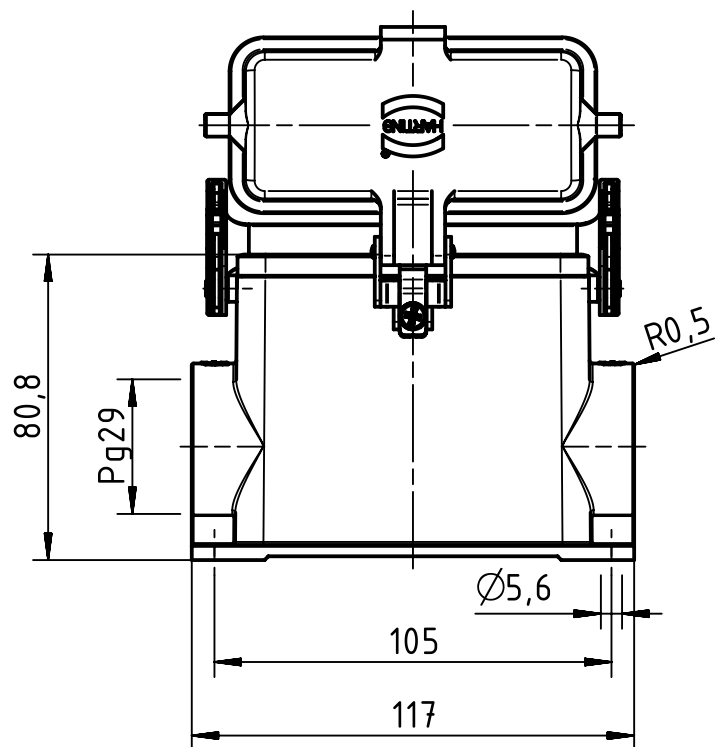
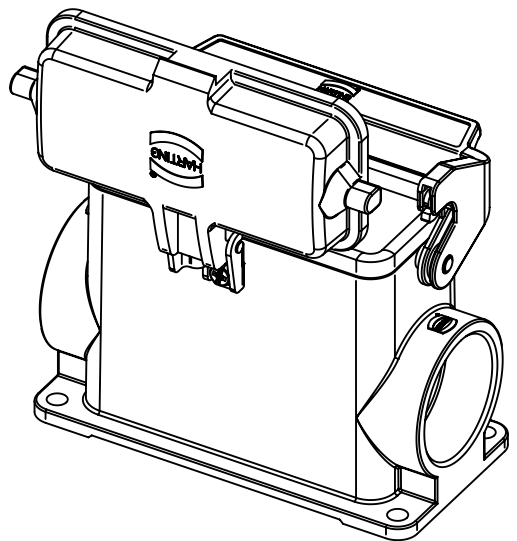
1 2 3 4 5 6

A

B

C

D



	All Dimensions in mm Original Size DIN A4	Scale 1:2		Free size tol.		Ref.	
						Sub.	
	All rights reserved Department EL PD - DE	Created by FINKEV	Inspected by BERGHORN	Standardisation SCHMIDTM	Date 2016-06-01	State Final Release	
		Title Han 16B-asg1-LB-K-29					Doc-Key / ECM-Nr. 100209862/UGD/004/A 500000104878
HARTING Electric GmbH & Co. KG D-32339 Espelkamp		Type TB	Number 09 30 016 0256			Rev. A	Page 1/1