

1 2 3 4 5

A

B

C

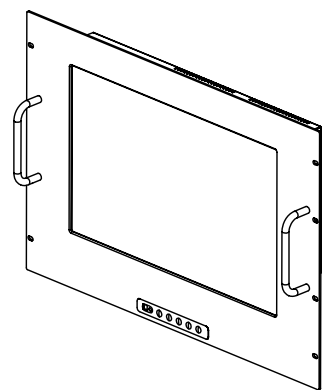
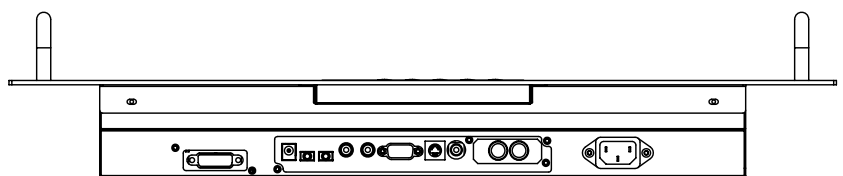
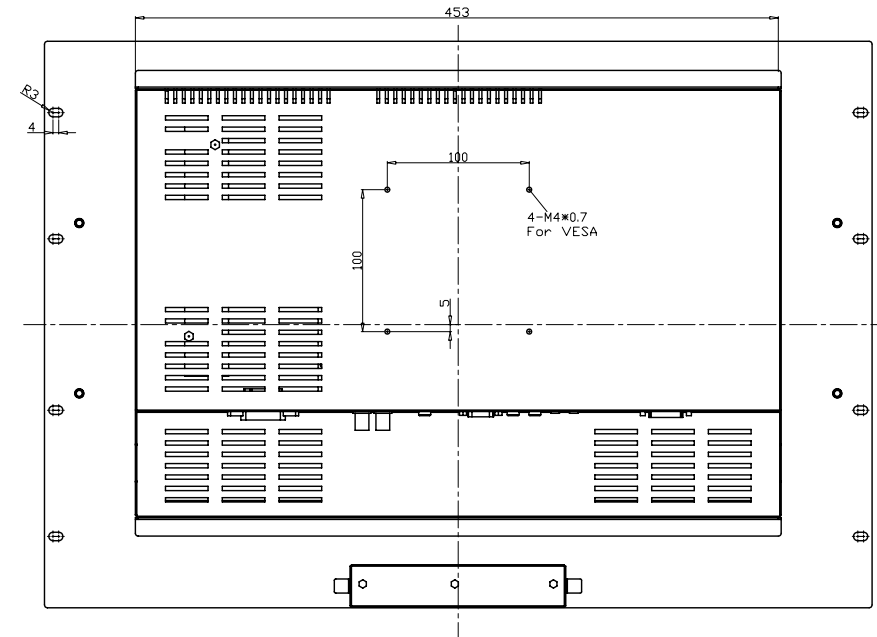
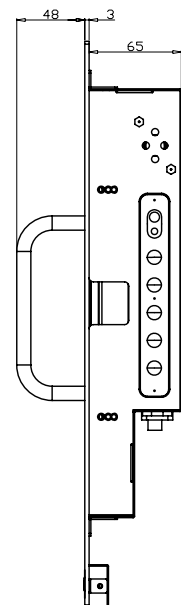
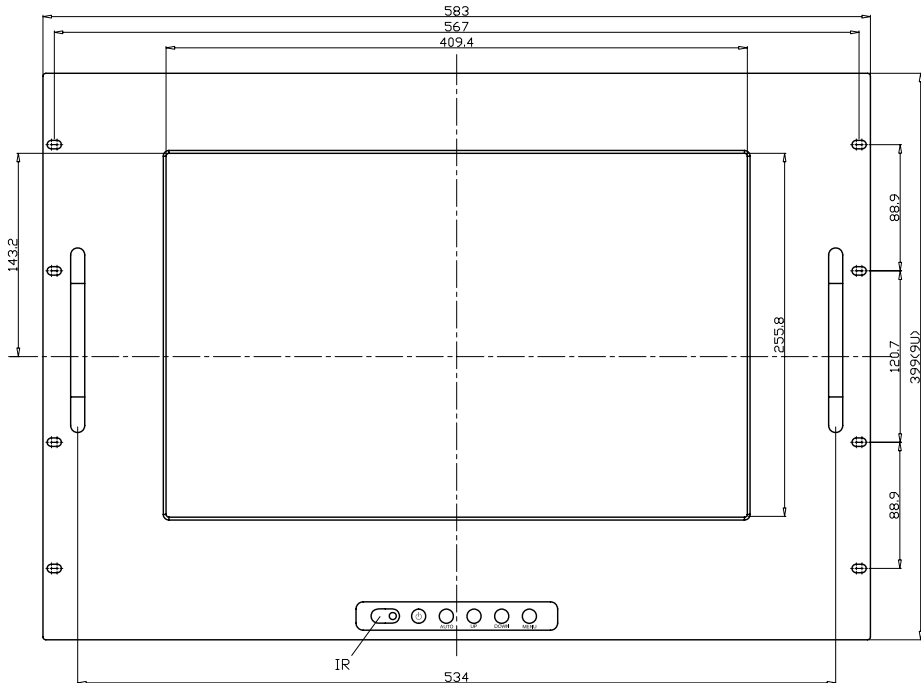
A

B

C

D

D



AD/BOARD	2023L/2023-9906/2523TTL/2523BVL	MODEL	RM190W5		泓瑜科技有限公司 WINSONIC TECH. CO., LTD.			
INVERTER	TIP017WS-01	PART NO.						
KEY PAD	PCBKEY019A0	MATERIAL	SECC	DATE	09/16/2008	APPROVED	DRAWN	JACK
PANEL:	CMO-M190A1-L02-Wide AU-M190PW01 V0 spec							REV.
								DWG SIZE

1 2 3 4 5