

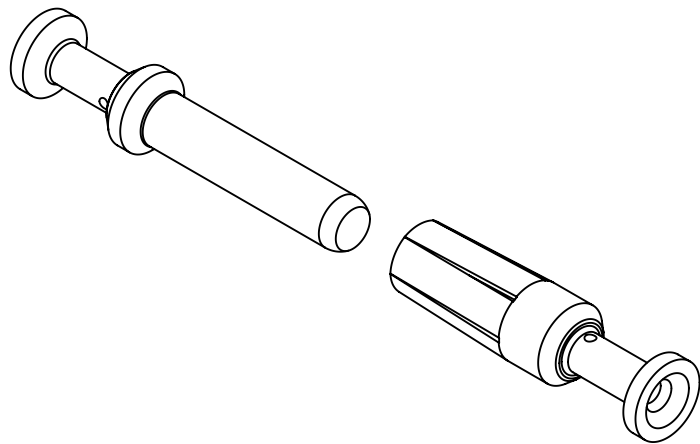
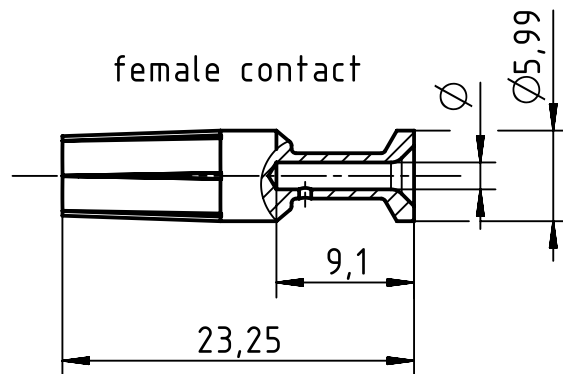
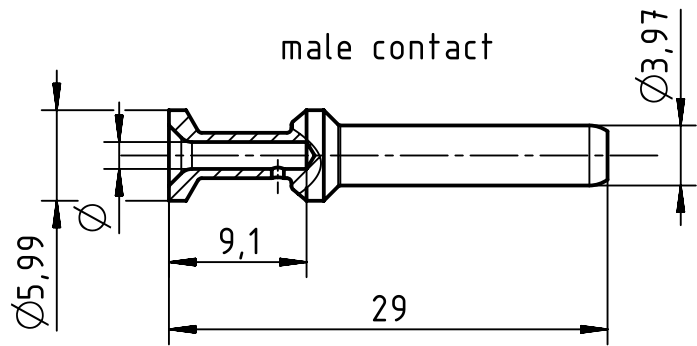
1 2 3 4 5 6

A

B

C

D



part no. 09 32 200...		Ø	wire gauge		stripping length	recommend crimping tools			
male contact	female contact		mm ²	AWG		09 99 000 0888	09 99 000 0110	09 99 000 0001	09 99 000 0377
6117	6227	4,33	10,0	8	depending on isolation body				X
6118	6228	3,53	6,0	10	9,5				X
6119	6229	2,88	4,0	12		X	X	X	X
6116	6226	2,58	3,0	12		X	X	X	
6115	6225	2,28	2,5	14		X	X	X	
6114	6224	1,78	1,5	16		X	X	X	

	All Dimensions in mm Original Size DIN A4	Scale 2:1	Free size tol.		Ref.	
	All rights reserved Department EL PD	Created by WULF	Inspected by SPILKERN	Standardisation GARSKE	Sub.	
	HARTING Electric GmbH & Co. KG D-32339 Espelkamp	Title Han C-HMC-male/female contacts-crimp-Au			Date 2019-05-27	State Final Release
		Type TB	Number 09 32 200 6XXX		Doc-Key / ECM-Nr. 100821744/UGD/010/E 500000152761	Rev. E