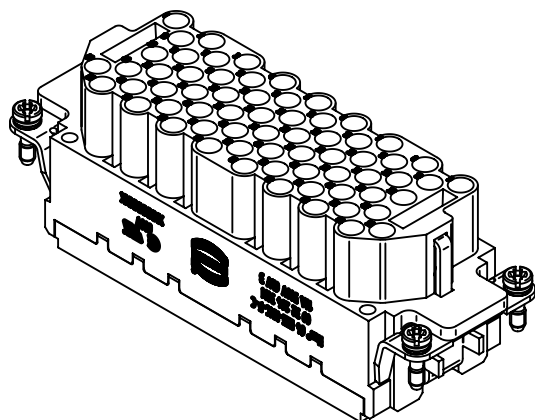
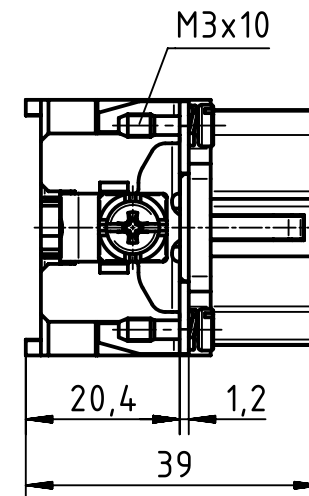
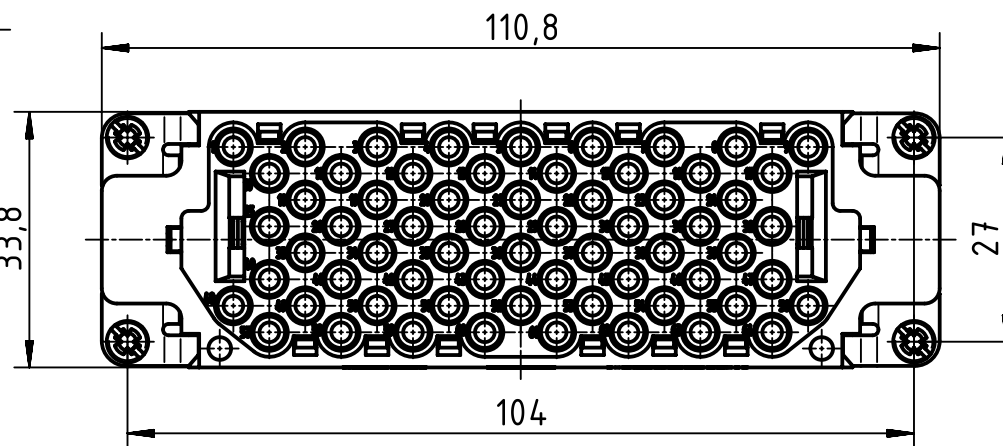
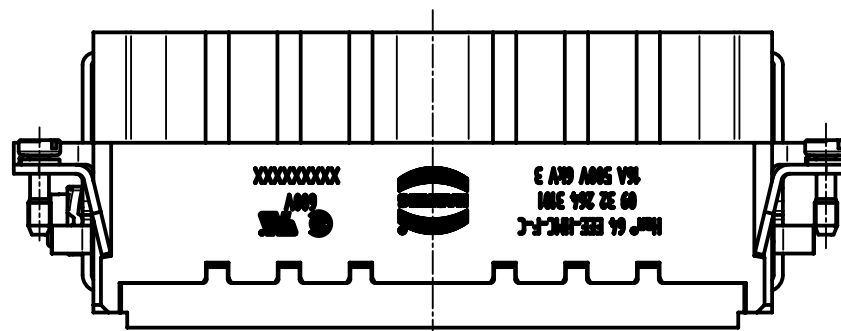
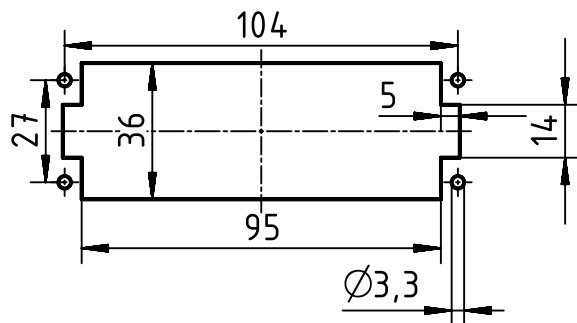


panel cut out (1:2)



	All rights reserved Department EL PD HARTING Electric GmbH & Co. KG D-32339 Espelkamp	All Dimensions in mm Original Size DIN A4		Scale 1:1	Free size tol.	Ref. Sub.		
		Created by FINKEV	Inspected by NICHTERLEIN	Standardisation RUETERA	Date 2018-09-20	State Final Release	Doc-Key / ECM-Nr. 100535689/UGD/001/C 50000014.0353	
Title Han 64EEE HMC-F-Crimp					Type TB	Number 09 32 264 3101	Rev. C	Page 1/1