

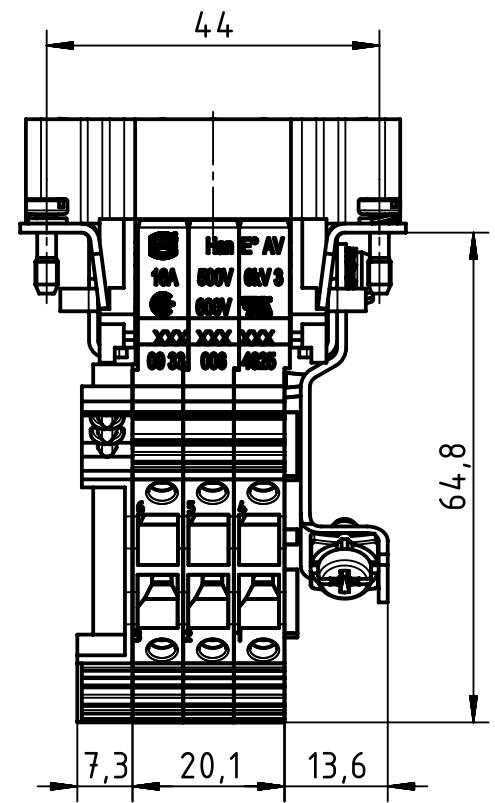
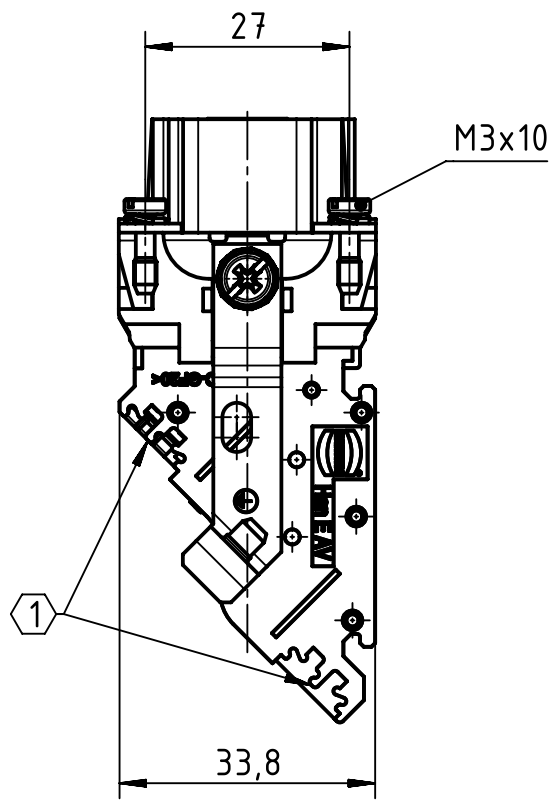
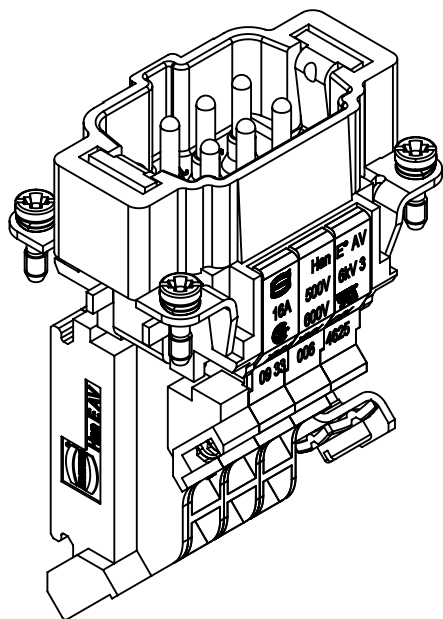
1 2 3 4 5 6

A

B

C

D



1 Slots for designation strips (max. 6 digits)

	All Dimensions in mm Original Size DIN A4		Scale 1:1	Free size tol.		Ref.		
						Sub.		
	All rights reserved		Created by FINKEV	Inspected by BERGHORN	Standardisation RUETERA	Date 2018-07-13	State Final Release	
	Department EL PD - DE		Title Han E AV 6 Pos. Male Terminal Block Left				Doc-Key / ECM-Nr. 100129911/UGD/006/C 500000137619	
HARTING Electric GmbH & Co. KG D-32339 Espelkamp			Type TB	Number 09 33 006 4625			Rev. C	Page 1/1