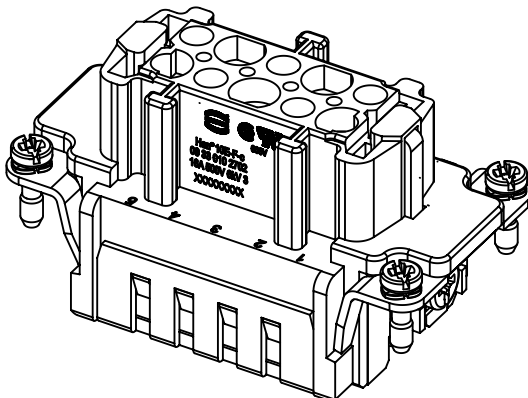
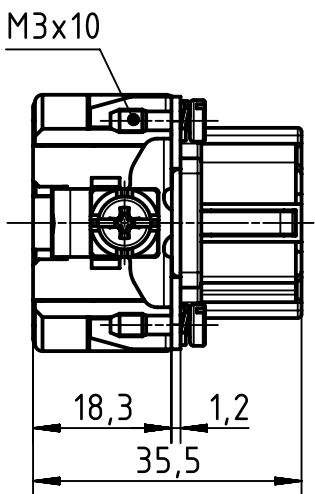
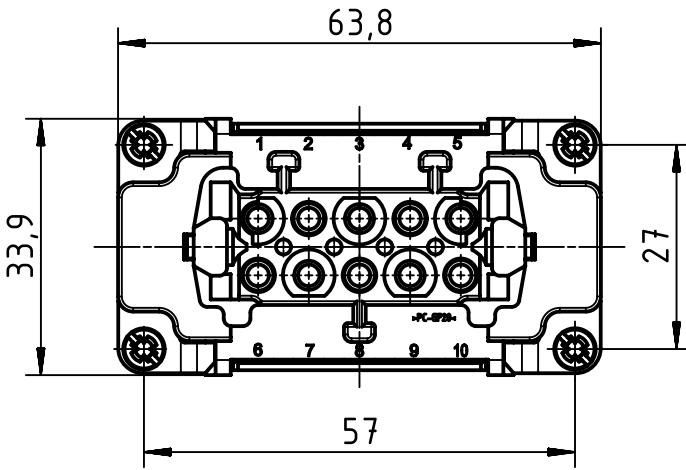
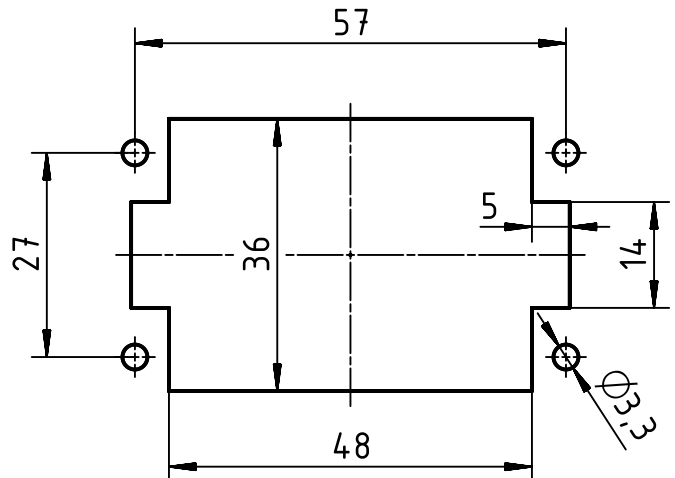


panel cut out



	All rights reserved Department EL PD - DE	All Dimensions in mm Original Size DIN A4		Scale 1:1	Free size tol.	Ref.
		HARTING Electric GmbH & Co. KG D-32339 Espelkamp	Created by HELLMANN	Inspected by NICHTERLEIN	Standardisation TIEMANNA	Date 2017-12-20
Title Han 10E insert female crimp						Doc-Key / ECM-Nr. 100130176/UGD/005/E 500000128168
Type TB				Number 09 33 010 2702		Rev. E
						Page 1/1