

1 2 3 4 5 6

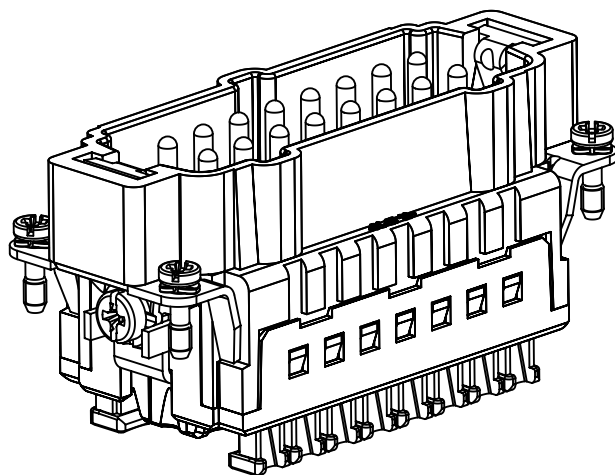
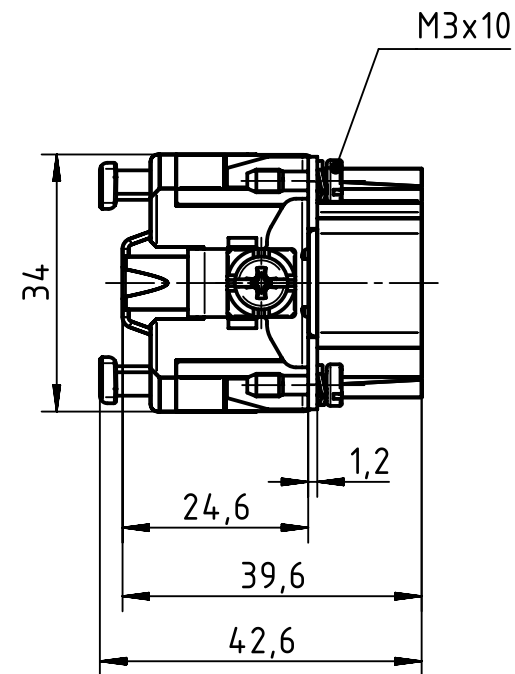
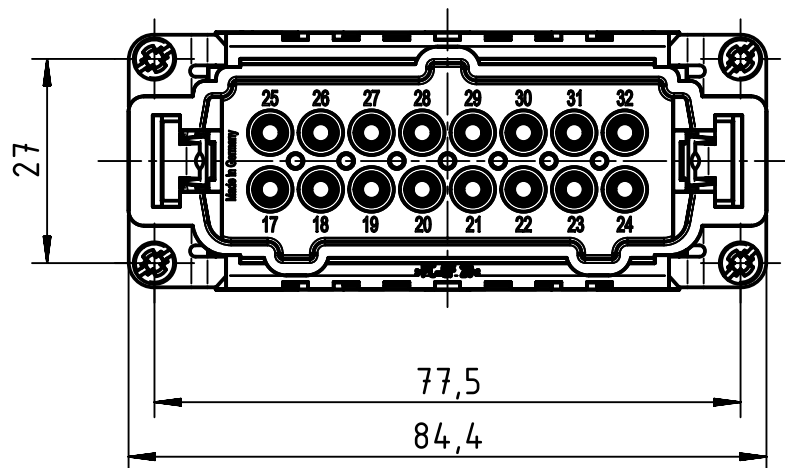
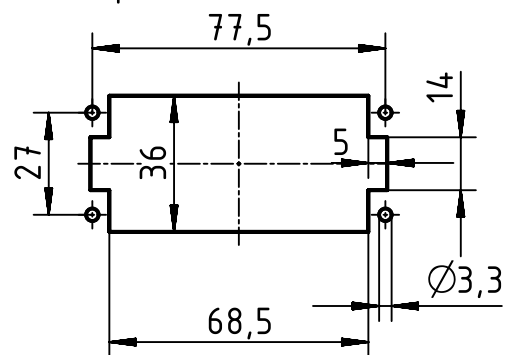
A

B

C

D

panel cut out 1:2



	All Dimensions in mm Original Size DIN A4		Scale 1:1	Free size tol.		Ref.
						Sub.
	All rights reserved		Created by MEYERLE	Inspected by RUETERA	Standardisation TIEMANNA	Date 2017-11-03
	Department EL PD - DE					State Final Release
HARTING Electric GmbH & Co. KG D-32339 Espelkamp			Title Han 16ES Press-M (17-32)			Doc-Key / ECM-Nr. 100680807/UGD/001/C 500000127032
			Type TB	Number 09 33 016 2688		Rev. C Page 1/1