

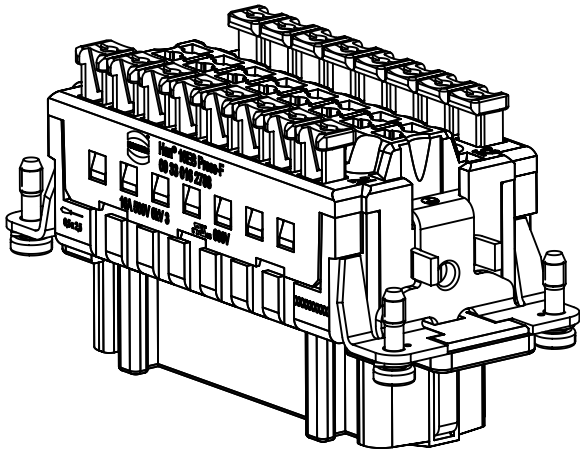
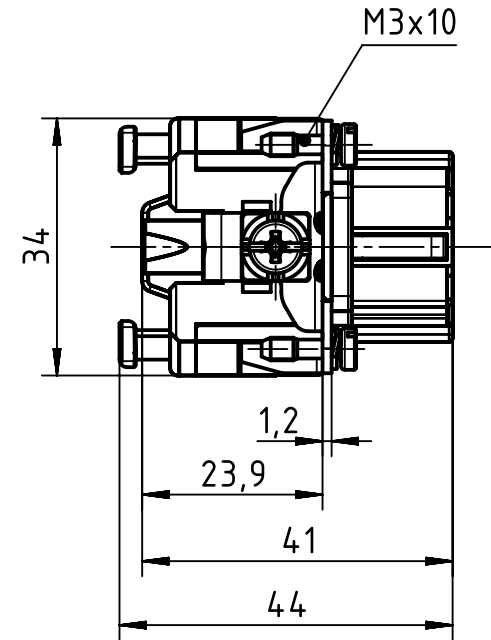
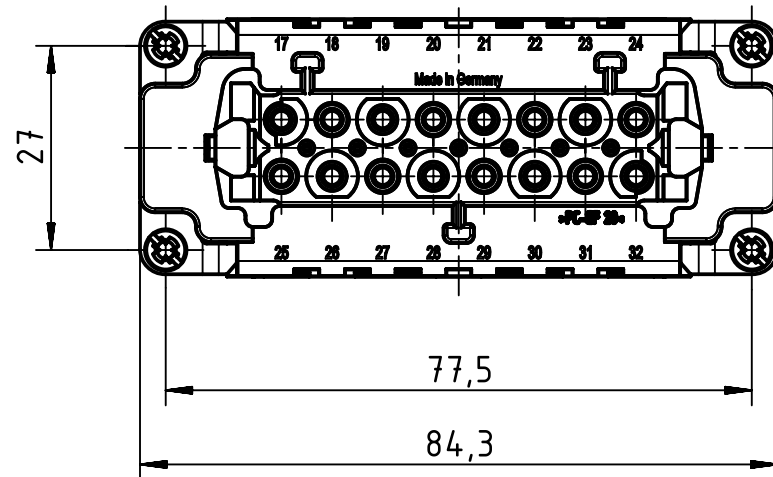
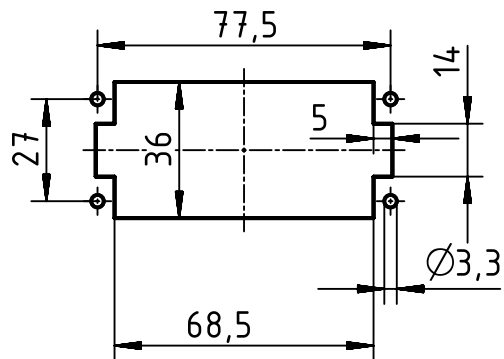
A

B

C

D

1:2
panel cut out



	All Dimensions in mm Original Size DIN A4		Scale 1:1	Free size tol.		Ref.
						Sub.
	All rights reserved		Created by MEYERLE	Inspected by RUETERA	Standardisation TIEMANNA	Date 2017-11-03
	Department EL PD - DE					State Final Release
HARTING Electric GmbH & Co. KG D-32339 Espelkamp			Title Han 16ES Press - F (17-32)			Doc-Key / ECM-Nr. 100680865/UGD/001/D 500000127032
			Type TB	Number 09 33 016 2788		Rev. D Page 1/1