

1 2 3 4 5 6

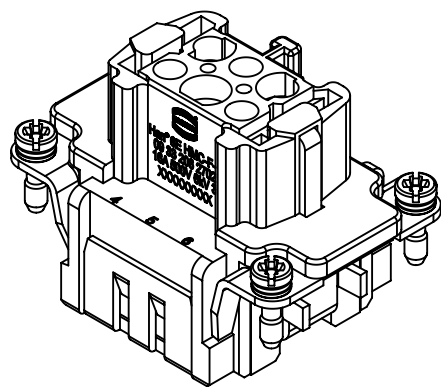
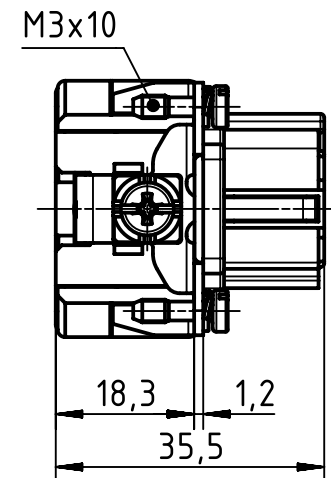
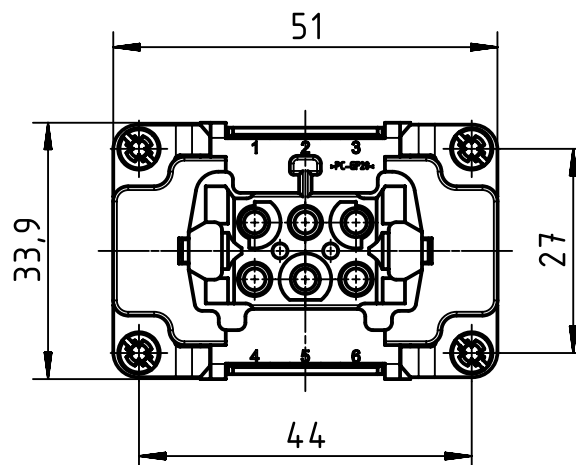
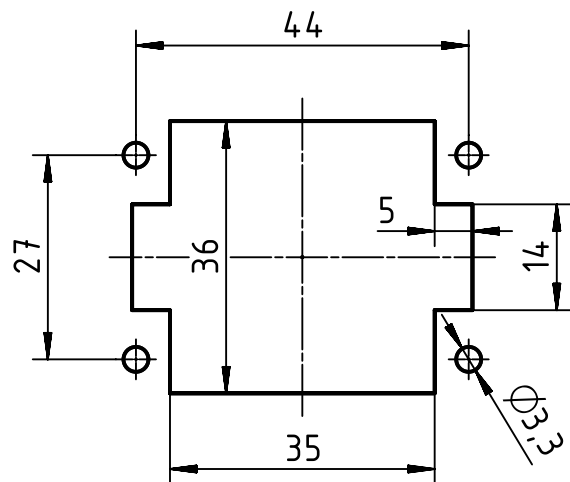
A

B

C

D

panel cut out



	All Dimensions in mm Original Size DIN A4		Scale 1:1	Free size tol.		Ref.	
						Sub.	
	All rights reserved		Created by HELLMANN	Inspected by NICHTERLEIN	Standardisation RUETERA	Date 2017-11-10	State Final Release
	Department EL PD - DE		Title Han 6E HMC-F-c			Doc-Key / ECM-Nr. 100527286/UGD/002/C 500000127626	
HARTING Electric GmbH & Co. KG D-32339 Espelkamp			Type TB	Number 09 33 206 2702		Rev. C	Page 1/1